

acciaio inox microfuso - casted stainless steel

PANELLI®

italian excellence since 1906



6" 8"

140 RX

180 RX

50Hz

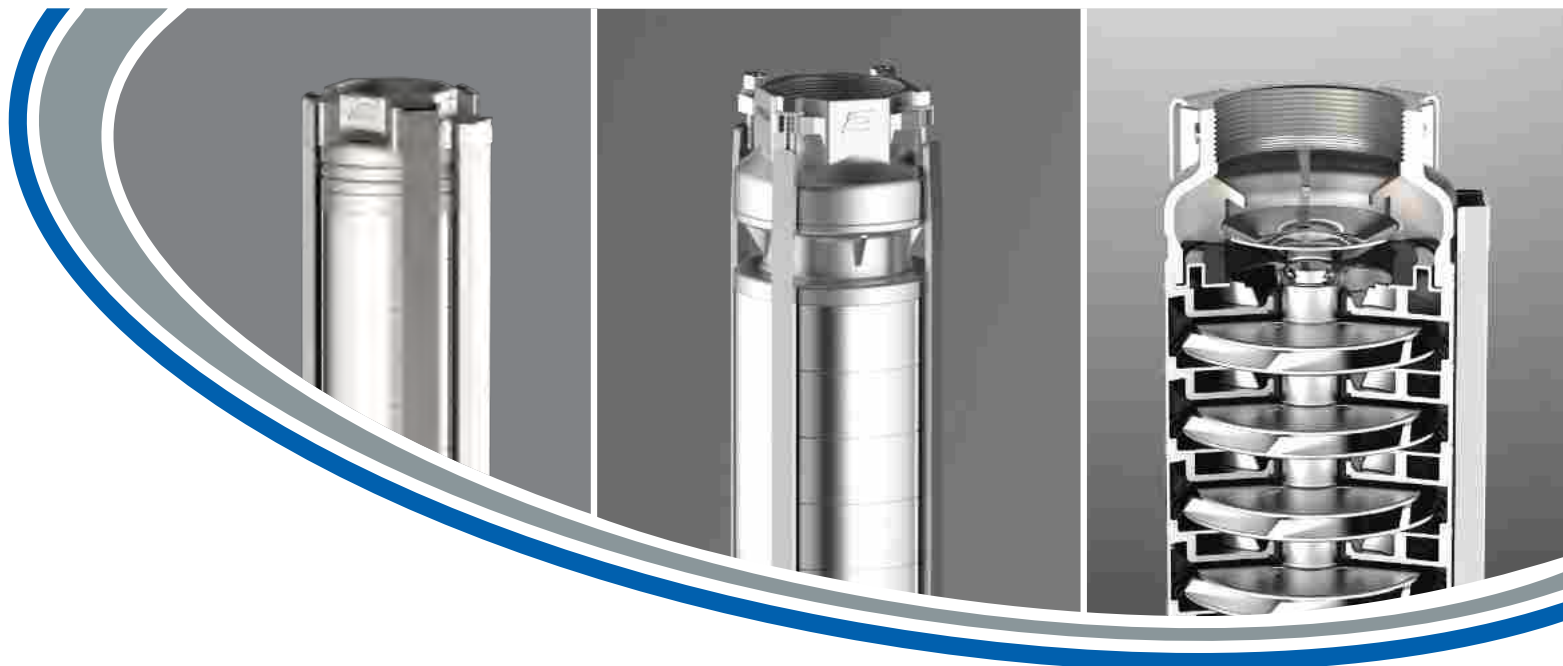
**POMPA SOMMERSA
RADIALE INOX**

**RADIAL SUBMERSIBLE
PUMP - INOX**



MADE IN ITALY

6" - 8" RX - 1



6" 8"

140 RX | 180 RX | **50Hz**

POMPA SOMMERSA RADIALE INOX
RADIAL SUBMERSIBLE PUMP - INOX



Pompa radiale in acciaio inossidabile microfuso

Casted stainless steel radial pump

Pompe radiale en acier inoxydable - coulé

Bomba radial en acero inoxidable microfundido

Disponibile in: AISI 304 - AISI 316 - Duplex

Available in: AISI 304 - Aisi 316 - Duplex

Disponibile en: AISI 304 - AISI 316 - Duplex

Disponibilidad en: AISI 304 - AISI 316 - Duplex

PANELLI®

italian excellence since 1906

CE Tolleranze secondo - Tolerance according to - Tolérances selon Tolerancias según norma EN UNI-ISO 9906

6" - 8" RX - 2

acciaio inox microfuso - casted stainless steel

PANELLI®

italian excellence since 1906

6" 8"

140 RX | 180 RX | **50Hz**

POMPA SOMMERSA RADIALE INOX
RADIAL SUBMERSIBLE PUMP - INOX



Girante e diffusore in acciaio inossidabile AISI 304 microfuso

Casted stainless steel impeller and diffuser AISI 304

Roue et diffuseur en acier inoxydable - Coulé AISI 304

Rodete y difusor en acero inoxidable microfundido AISI 304

Robustezza ineguagliabile

Heavy Duty construction

Durabilité

Durabilidad



6" - 8" RX - 3



italian excellence since 1906

6" 8" 140 RX | 180 RX | 50Hz

POMPA SOMMERSA RADIALE INOX
RADIAL SUBMERSIBLE PUMP - INOX  Casted



ELETTROPOMPE SOMMERSE RADIALI 6" e 8" SERIE 140 RX e 180 RX IN ACCIAIO INOX MICROFUSO AISI 304

Le pompe sommerse radiali sono caratterizzate da stadi (corpo, girante e diffusore) di limitato ingombro assiale. Proprio per questo motivo la soluzione radiale permette l'impiego di un elevato numero di stadi, con la conseguenza di ottenere, a parità di diametro, prevalenze molto spinte con piccole e medie portate.

Adatte a sollevamento di acqua pulita, per approvvigionamento idrico ad uso civile ed industriale, impianti di pressurizzazione, antincendio ed irrigazione, acquedotti.

VANTAGGI

Progetto innovativo (L'acciaio inox AISI 304 ottenuto con il processo di microfusione permette di ottenere):

- rendimenti elevati
- notevole durata nel tempo (minore usura)
- facilità di smontaggio
- ridotta manutenzione
- bassi costi di esercizio.

MATERIALI

- Girante radiale, diffusore, elemento intermedio, gabbia di aspirazione e corpo valvola in acciaio inox AISI 304 microfuso, albero pompa in acciaio inox AISI 304, anelli di usura, bronzine, guarnizione valvola in gomma NBR

CAMPI DI PRESTAZIONE IDRAULICHE

- Portate fino a 78 m³/h
- Prevalenze fino a 620 metri
- Potenze fino a 75 kW
- Massima quantità di sabbia ammessa : 50 g/m³ - Massima profondità di immersione : 350 metri.



6"/8' SUBMERSIBLE RADIAL PUMPS SERIES 140/180 RX, IN AISI 304 CASTED STAINLESS STEEL

Radial submersible pumps thanks to the design of impellers and diffusers are suitable for mid capacities up to high Head values.

Suitable for clean water supply in domestic, industrial, pressure boosters, firefighting systems, irrigation and water system networks.

ADVANTAGES

Panelli innovative design and the most advanced micro casting technologies allow:

- High efficiency
- Longer life
- Easy assembly/ disassembly
- Low maintenance - Low operating cost

MATERIALS

- Impellers, diffusers, intermediate element, suction cage and delivery bowl in AISI 304 casted stainless steel
- Pump shaft in AISI 304 stainless steel
- Wear rings, valve seal in NBR

HYDRAULIC PERFORMANCES

- Capacity up to 78 m³/h
- Head up to 620 m
- Power up to 75 kW
- Maximum sand tolerance : 50g/m³ - Maximum depth : 350 meters.

CE Tolleranze secondo - Tolerance according to - Tolérances selon Tolerancias según norma EN UNI-ISO 9906



italian excellence since 1906

6" 8"

140 RX | 180 RX | 50Hz

POMPA SOMMERSA RADIALE INOX  **Casted**
RADIAL SUBMERSIBLE PUMP - INOX



POMPES IMMERGÉES RADIALES 6"/8" SERIE 140/180RX, EN ACIER INOXYDABLE AISI 304 MICROFUSION)

Les pompes immergées radiales grâce au design des roues et des diffuseurs peuvent produire des débit moyens et des hauteurs très élevées.

Les pompes sont conçues pour des eaux claires dans toutes applications domestiques, industrielles, systèmes de surpression, groupe incendie, irrigation et réseaux d'eau publiques.

ADVANTAGES

L'innovatif projet Panelli et les technologies de microfusion les plus modernes permettent d'obtenir:

- Très hautes efficacités
- Durée de vie importante
- Facilité de montage et démontage - Manutention réduite
- Coûts d'exercice réduits

MATERIAUX

- Roues, diffuseurs, élément intermédiaire, cage d'aspiration et refoulement en acier inoxydable AISI 304 en coulé
- Axe de la pompe en acier inoxydable AISI 304
- Bagues d'usure, anneau du clapet en caoutchouc NBR

PERFORMANCES HYDRAULIQUES

Débit jusqu'à 78 m³/h, Hauteur jusqu'à 620 m, Puissance jusqu'à 75 kW, Tolerance de sable maximum : 50 g/m³, Profondité maximum d'immersion : 350 mètres.



BOMBAS SUMERGIBLES RADIALES 6"/8" SERIE 140/180 RX, EN ACERO INOXYDABLE AISI 304 MICROFUNDIDO)

Las bombas sumergibles radiales serie RX gracias al diseño de los impulsores y de los cuerpos se adaptan a caudales medios y alturas elevadas.

Concepidas por el bombeo de aguas limpias en aplicaciones civiles y industriales para el suministro de agua a nivel domestico, industrial, en grupos de pression, sistemas contra incendio, riego y sistemas de agua publica.

VENTAJAS

El diseño innovativo Panelli y las tecnologías de microfusion mas modernas garantizan:

- Eficacías elevadas
- Durabilidad de vida muy importante
- Facilidad de montaje y desmontaje - Manutencion minima
- Costos de utilizacion muy limitados

MATERIALES

- Impulsores, difusores, elemento intermedio, caja de aspiracion e impulsion en acero inoxidable AISI 304 microfundido
- Anillos de usura, y anillo valvula en goma NBR

PRESTACIONES HIDRAULICAS

Caudales hasta 78 m³/h, Alturas hasta 620 m, Potencias hasta 75 kW, Cantidad maxima de arena : 50g/m³, Maxima profundidad de imersion : 350 m.



6"

140 RX18



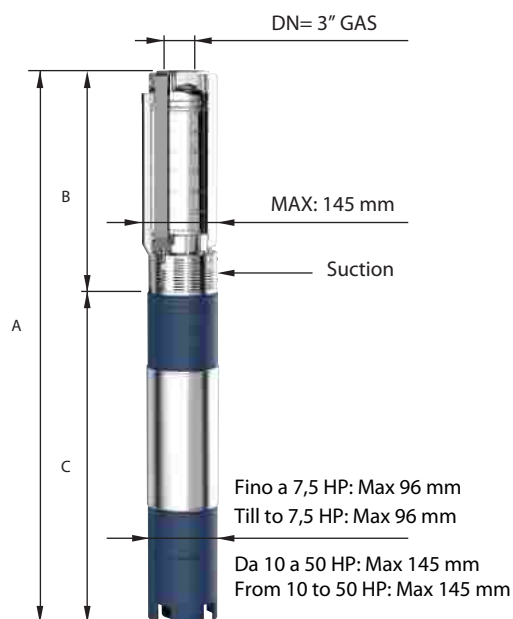
CARATTERISTICHE IDRAULICHE - HYDRAULIC PERFORMANCES

Q= Portata - Capacity - Debit 50 Hz n= 2900 min

Tipo Type	Power		H(m)	0	150	200	250	300	350	400	450
	kW	HP		l/min	l/sec	l/sec	l/sec	l/sec	l/sec	l/sec	l/sec
				m ³ /h	m ³ /h	m ³ /h	m ³ /h	m ³ /h	m ³ /h	m ³ /h	m ³ /h
140 RX 18/04	3	4	59	52	49	44	38	30	22	13	
140 RX 18/05	4	5,5	73	65	61	55	48	38	28	17	
140 RX 18/07	5,50	7,5	103	91	85	77	67	53	39	23	
140 RX 18/10	7,50	10	147	131	122	109	95	76	56	33	
140 RX 18/12	9,20	12,5	176	157	146	131	114	91	67	40	
140 RX 18/14	11	15	206	183	171	153	133	107	78	46	
140 RX 18/17	13	17,5	250	222	207	186	162	130	95	56	
140 RX 18/19	15	20	279	248	231	208	181	145	106	63	
140 RX 18/24	18,50	25	352	313	292	262	228	183	134	79	
140 RX 18/28	22	30	411	366	341	306	266	213	157	93	
140 RX 18/33	26	35	484	431	402	361	314	251	185	109	
140 RX 18/38	30	40	558	496	463	415	361	290	213	126	
140 RX 18/47	37	50	690	614	572	514	447	358	263	156	

DIMENSIONI D'INGOMBRO E PESI - OVERALL DIMENSIONS AND WEIGHTS

Type	A mm Tri V 400	B mm	C mm Tri	M Kg Tri	P Kg
140 RX 18/04	937	380	557	19	12
140 RX 18/05	1016	419	597	22	14
140 RX 18/07	1195	497	698	27	17
140 RX 18/10	1315	614	701	55	22
140 RX 18/12	1443	692	751	60	26
140 RX 18/14	1581	770	811	65	30
140 RX 18/17	1728	887	841	70	35
140 RX 18/19	1896	965	931	75	39
140 RX 18/24	2151	1160	991	83	47
140 RX 18/28	2387	1316	1071	92	54
140 RX 18/33	2692	1511	1181	100	61
140 RX 18/38	2957	1706	1251	108	68
140 RX 18/47	3398	2057	1341	118	80



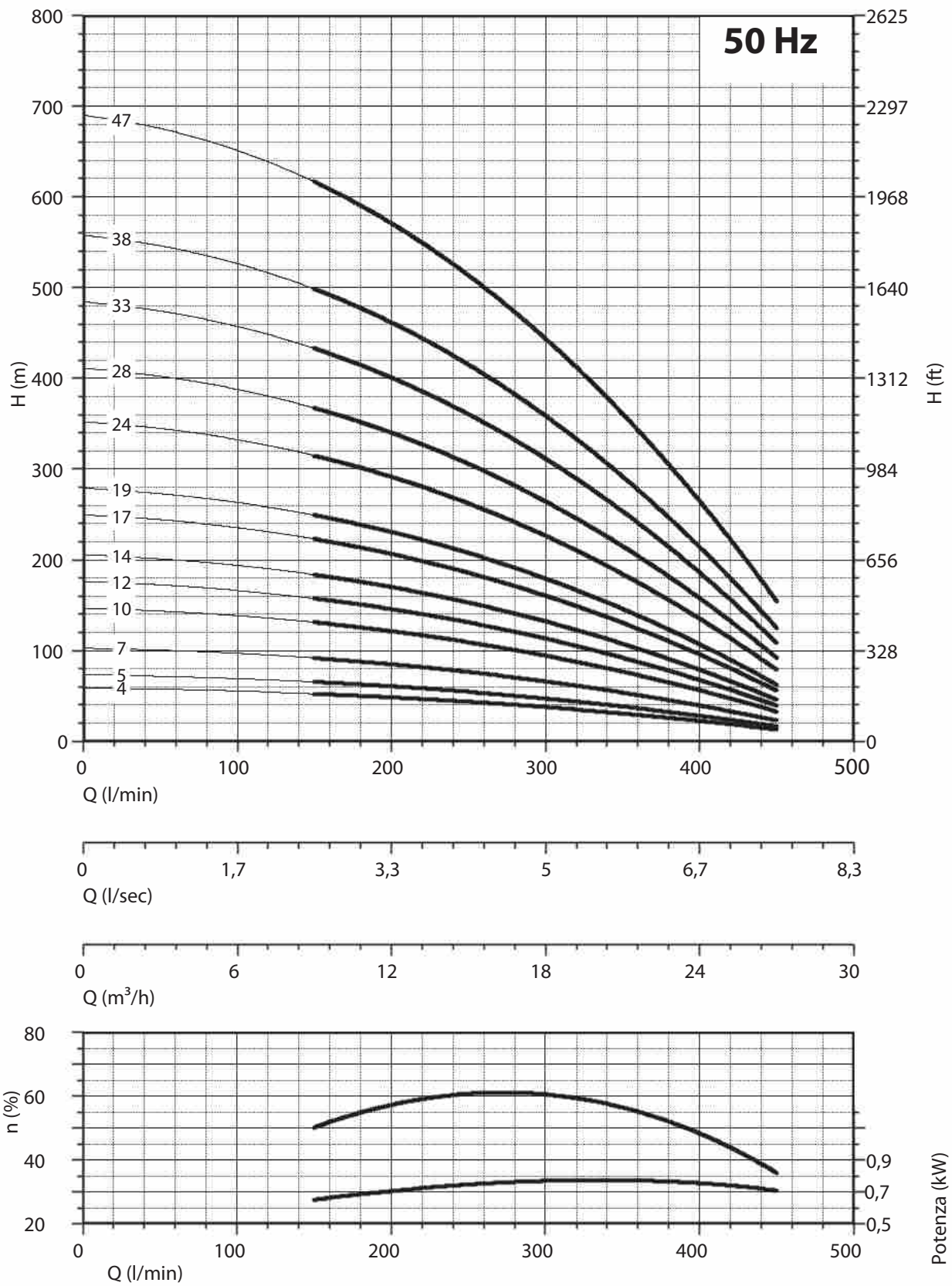
n% = Rendimento della pompa
 n% = Rendement de la pompe
 n% = Pump efficiency
 n% = Rendimiento de la bomba

Max
60,5%

kW/st = Assorbimento per stadio
 kW/st = Absorption par étage
 kW/st = Stage absorption
 kW/st = Potencia absorbida por etapa

Max
0,78

Tolleranza alla sabbia 50 g/m³ - Sand tolerance 50 g/m³ - Compatibilità con acqua potabile DM 174 Drinking water compatibility according to DM 174
 Tolleranze secondo UNI ISO 9906 livello 3B - Tolerances according to UNI ISO 9906 grade 3B



NPSH (m)	25%	50%	75%	100%
140 RX 18	3	3	4	6

6"

140 RX21



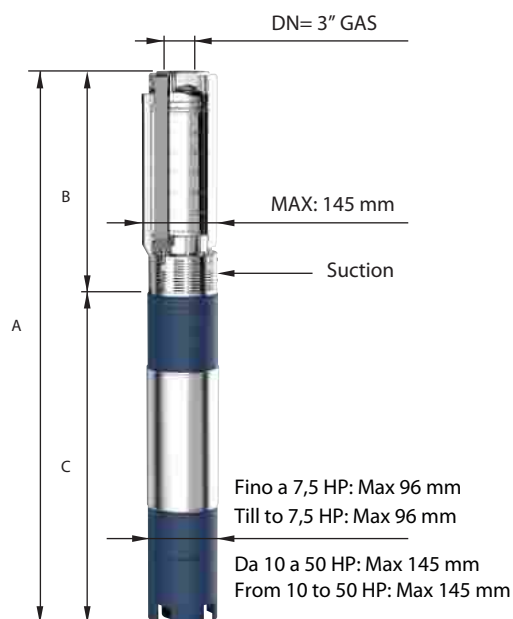
CARATTERISTICHE IDRAULICHE - HYDRAULIC PERFORMANCES

Q= Portata - Capacity - Debit 50 Hz n= 2900 min

Tipo Type	Power		H(m)	0	200	250	300	350	400	450	500
	kW	HP		l/min	l/sec	l/sec	l/sec	l/sec	l/sec	l/sec	l/sec
				m ³ /h	m ³ /h	m ³ /h	m ³ /h	m ³ /h	m ³ /h	m ³ /h	m ³ /h
140 RX 21/03	4	5,5	57	51	49	45	40	34	28	21	
140 RX 21/04	5,50	7,5	77	69	65	60	53	46	37	28	
140 RX 21/06	7,50	10	115	103	98	90	80	68	56	41	
140 RX 21/07	9,20	12,5	134	120	114	105	93	80	65	48	
140 RX 21/08	11	15	153	137	130	120	107	91	74	55	
140 RX 21/10	13	17,5	192	171	163	150	133	114	93	69	
140 RX 21/11	15	20	211	189	179	165	147	126	102	76	
140 RX 21/14	18,5	25	268	240	228	210	187	160	130	97	
140 RX 21/17	22	30	326	291	276	255	227	194	157	117	
140 RX 21/20	26	35	383	343	325	300	267	228	185	138	
140 RX 21/23	30	40	441	394	374	345	307	262	213	159	
140 RX 21/28	37	50	536	480	455	420	373	319	259	193	

DIMENSIONI D'INGOMBRO E PESI - OVERALL DIMENSIONS AND WEIGHTS

Type	A mm Tri V 400	B mm	C mm Tri	M Kg Tri	P Kg
140 RX 21/03	938	341	597	22	10
140 RX 21/04	1078	380	698	27	12
140 RX 21/06	1159	458	701	55	15
140 RX 21/07	1248	497	751	60	17
140 RX 21/08	1347	536	811	65	19
140 RX 21/10	1455	614	841	70	21
140 RX 21/11	1584	653	931	75	22
140 RX 21/14	1761	770	991	83	26
140 RX 21/17	1958	887	1071	92	31
140 RX 21/20	2185	1004	1181	100	34
140 RX 21/23	2372	1121	1251	108	40
140 RX 21/28	2657	1316	1341	118	44



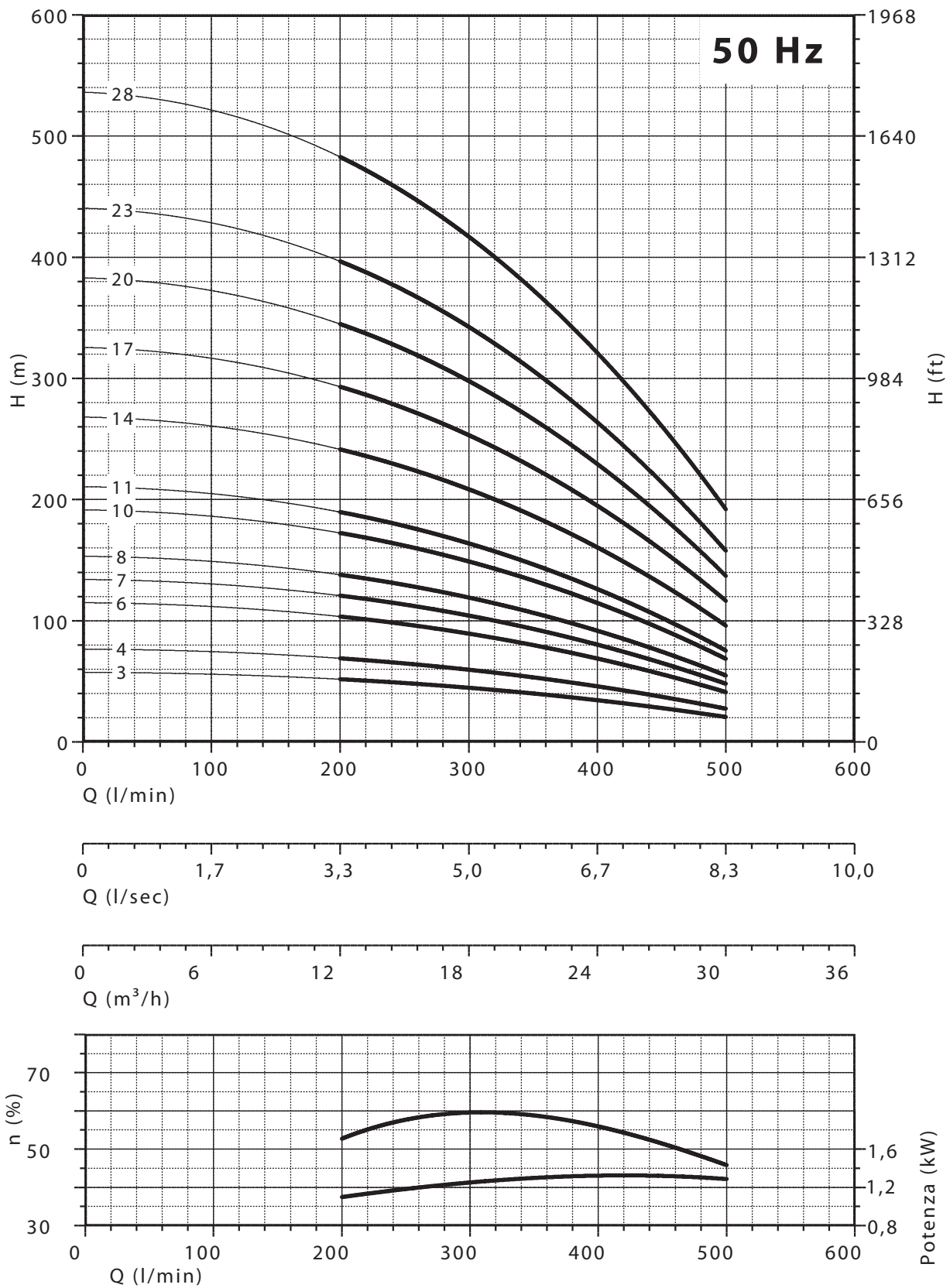
n% = Rendimento della pompa
 n% = Rendement de la pompe
 n% = Pump efficiency
 n% = Rendimiento de la bomba

**Max
60%**

kW/st = Assorbimento per stadio
 kW/st = Absorption par étage
 kW/st = Stage absorption
 kW/st = Potencia absorbida por etapa

**Max
1,328**

Tolleranza alla sabbia 50 g/m³ - Sand tolerance 50 g/m³ - Compatibilità con acqua potabile DM 174 Drinking water compatibility according to DM 174
 Tolleranze secondo UNI ISO 9906 livello 3B - Tolerances according to UNI ISO 9906 grade 3B



NPSH (m)	25%	50%	75%	100%
140 RX 21	3	3	4,2	6,3

6"

140 RX24



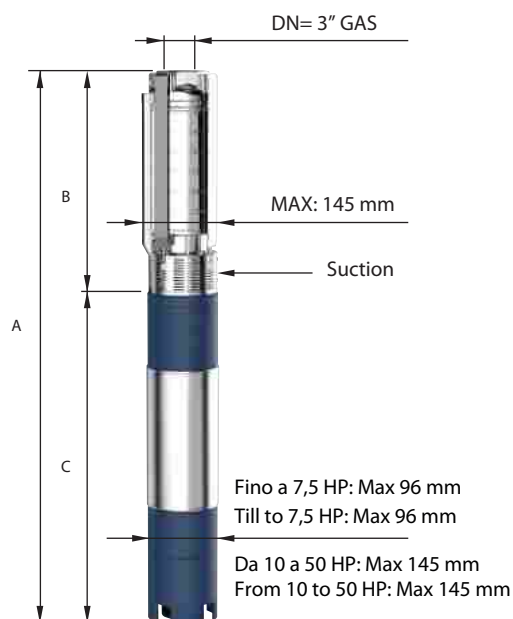
CARATTERISTICHE IDRAULICHE - HYDRAULIC PERFORMANCES

Q= Portata - Capacity - Debit 50 Hz n= 2900 min

Tipo Type	Power		l/min	0	200	300	400	500	600	
	kW	HP		l/sec	0	3,33	5	6,67	8,33	10
				m ³ /h	0	12	18	24	30	36
140 RX 24/02	2,20	3	H(m)	30	27	24	20	15	8	
140 RX 24/04	4,00	5,5		60	54	48	41	30	17	
140 RX 24/05	5,50	7,5		75	67	60	51	38	21	
140 RX 24/07	7,50	10		105	94	84	71	53	29	
140 RX 24/08	9,2	12,5		120	107	96	81	61	33	
140 RX 24/10	11	15		150	134	120	102	76	42	
140 RX 24/12	13	17,5		180	161	144	122	91	50	
140 RX 24/13	15	20		195	174	156	132	99	54	
140 RX 24/17	18,5	25		255	228	204	173	129	71	
140 RX 24/20	22	30		300	268	240	203	152	83	
140 RX 24/23	26	35		345	308	276	234	174	96	
140 RX 24/27	30	40		405	362	324	274	205	112	
140 RX 24/33	37	50		495	443	396	335	250	137	

DIMENSIONI D'INGOMBRO E PESI - OVERALL DIMENSIONS AND WEIGHTS

Type	A mm Tri V 400	B mm	C mm Tri	M Kg Tri	P Kg
140 RX 24/02	764	312	452	15	10
140 RX 24/04	997	400	597	22	14
140 RX 24/05	1142	444	698	27	16
140 RX 24/07	1233	532	701	55	20
140 RX 24/08	1327	576	751	60	22
140 RX 24/10	1475	664	811	65	26
140 RX 24/12	1593	752	841	70	31
140 RX 24/13	1727	796	931	75	33
140 RX 24/17	1963	972	991	83	42
140 RX 24/20	2175	1104	1071	92	49
140 RX 24/23	2417	1236	1181	100	55
140 RX 24/27	2663	1412	1251	108	62
140 RX 24/33	3017	1676	1341	118	74



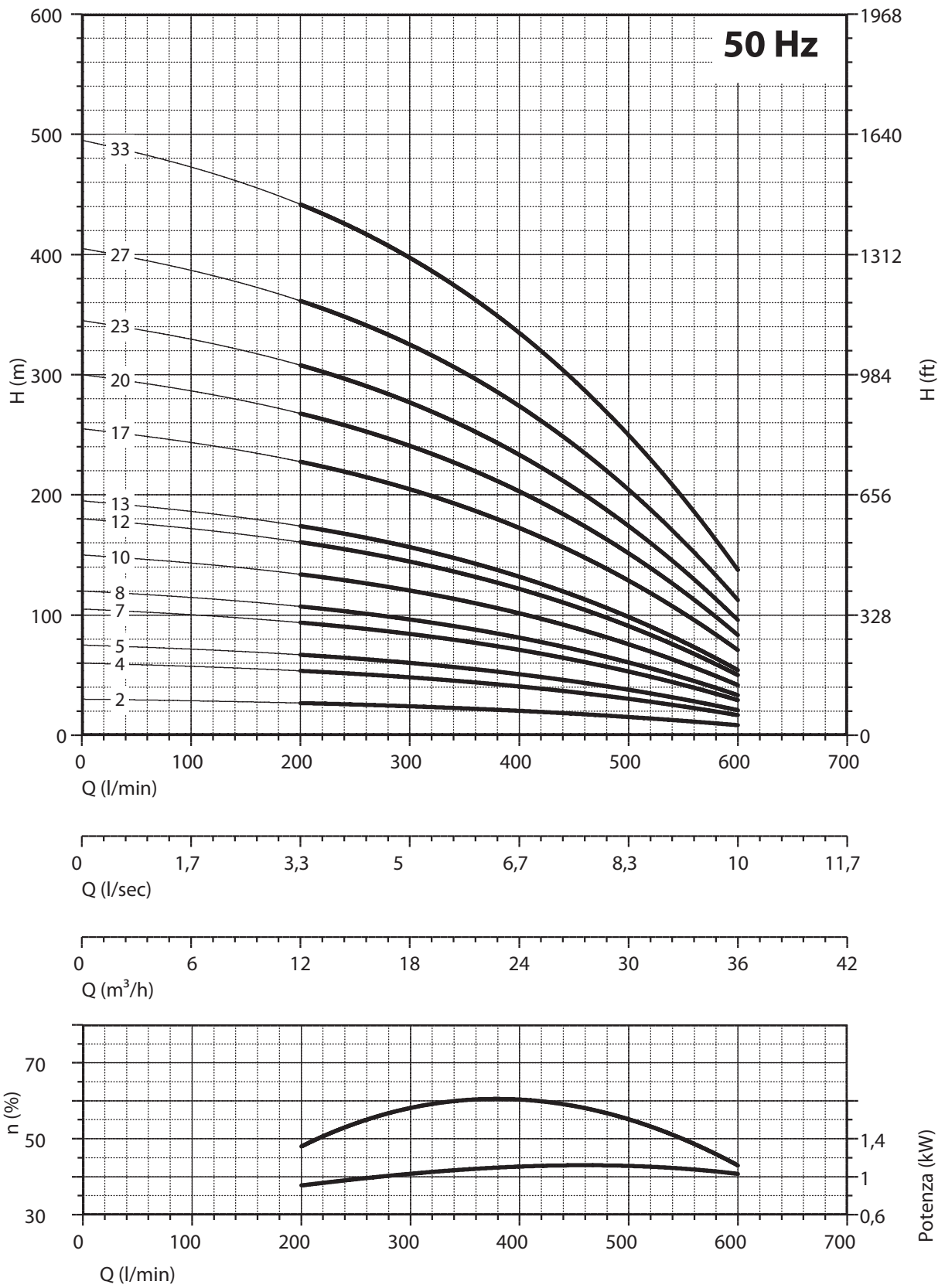
n% = Rendimento della pompa
 n% = Rendement de la pompe
 n% = Pump efficiency
 n% = Rendimiento de la bomba

Max
60,5%

kW/st = Assorbimento per stadio
 kW/st = Absorption par étage
 kW/st = Stage absorption
 kW/st = Potencia absorbida por etapa

Max
1,113

Tolleranza alla sabbia 50 g/m³ - Sand tolerance 50 g/m³ - Compatibilità con acqua potabile DM 174 Drinking water compatibility according to DM 174
 Tolleranze secondo UNI ISO 9906 livello 3B - Tolerances according to UNI ISO 9906 grade 3B



NPSH (m)	25%	50%	75%	100%
140 RX 24	3	3	4,5	6,6

6"

140 RX35



CARATTERISTICHE IDRAULICHE - HYDRAULIC PERFORMANCES

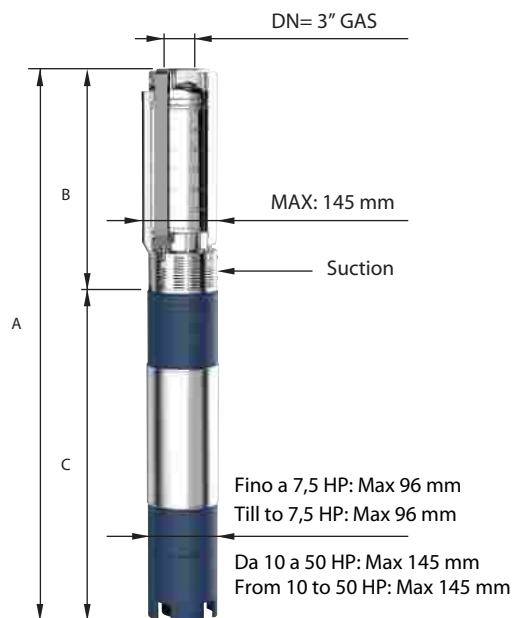
Q= Portata - Capacity - Debit

50 Hz n= 2900 min

Tipo Type	Power		l/min	0	300	400	500	600	700	800	
	kW	HP		l/sec	0	5	6,67	8,33	10	11,67	13,33
				m ³ /h	0	18	24	30	36	42	48
140 RX 35/04	7,50	10	H(m)	65	57	53	47	40	32	22	
140 RX 35/05	9,20	12,5		81	71	66	59	50	40	28	
140 RX 35/06	11	15		98	85	79	70	60	48	33	
140 RX 35/07	13	17,5		114	99	92	82	70	56	39	
140 RX 35/08	15	20		130	113	105	94	80	64	45	
140 RX 35/10	18,50	25		163	141	131	117	100	80	56	
140 RX 35/11	22	30		179	156	145	129	110	88	61	
140 RX 35/13	26	35		212	184	171	152	130	104	72	
140 RX 35/15	30	40		244	212	197	176	150	120	84	
140 RX 35/19	37	50		309	269	250	222	190	152	106	

DIMENSIONI D'INGOMBRO E PESI - OVERALL DIMENSIONS AND WEIGHTS

Type	A mm Tri V 400	B mm	C mm Tri	M Kg Tri	P Kg
140 RX 35/04	1177	476	701	55	17
140 RX 35/05	1290	539	751	60	20
140 RX 35/06	1413	602	811	65	26
140 RX 35/07	1506	665	841	70	29
140 RX 35/08	1659	728	931	75	33
140 RX 35/10	1845	854	991	83	38
140 RX 35/11	1988	917	1071	92	41
140 RX 35/13	2224	1043	1181	100	47
140 RX 35/15	2420	1169	1251	108	54
140 RX 35/19	2762	1421	1341	118	64



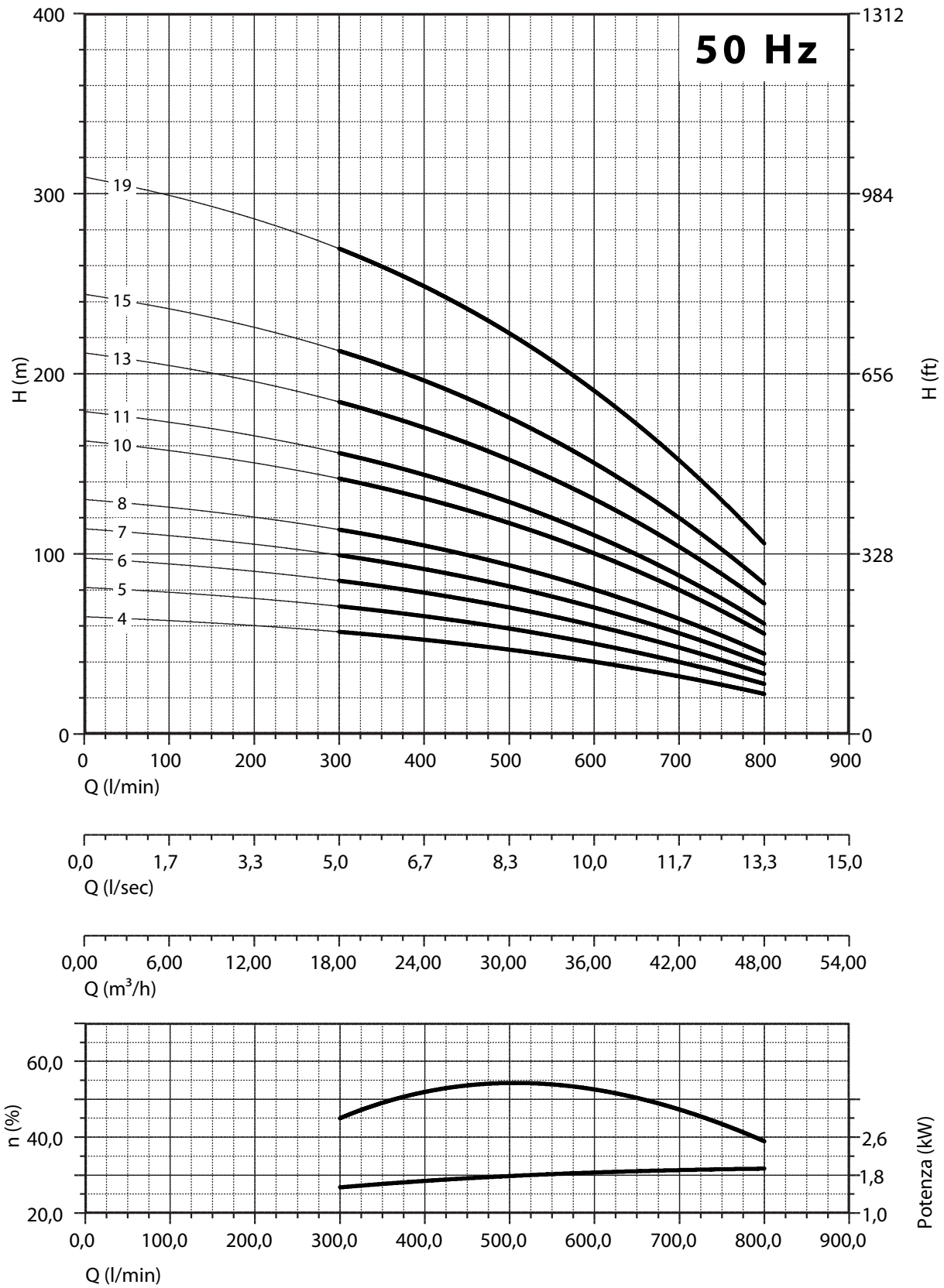
n% = Rendimento della pompa
n% = Rendement de la pompe
n% = Pump efficiency
n% = Rendimiento de la bomba

Max
54%

kW/st = Assorbimento per stadio
kW/st = Absorption par étage
kW/st = Stage absorption
kW/st = Potencia absorbida por etapa

Max
1,935

Tolleranza alla sabbia 50 g/m³ - Sand tolerance 50 g/m³ - Compatibilità con acqua potabile DM 174 Drinking water compatibility according to DM 174
Tolleranze secondo UNI ISO 9906 livello 3B - Tolerances according to UNI ISO 9906 grade 3B



NPSH (m)	25%	50%	75%	100%
140 RX 35	3,4	3,4	3,8	8

8"

180 RX27



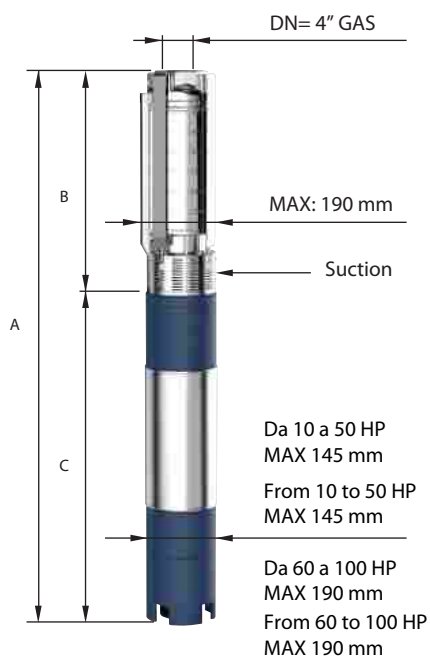
CARATTERISTICHE IDRAULICHE - HYDRAULIC PERFORMANCES

Q= Portata - Capacity - Debit 50 Hz n= 2900 min

Tipo Type	Power		H(m)	0	300	350	400	450	500	550	600
	kW	HP		l/min	l/sec	l/sec	l/sec	l/sec	l/sec	l/sec	l/sec
				m ³ /h	m ³ /h	m ³ /h	m ³ /h	m ³ /h	m ³ /h	m ³ /h	m ³ /h
180 RX 27/04	9,20	12,5	96	85	81	76	72	64	58	50	
180 RX 27/05	11	15	120	107	102	95	90	81	73	63	
180 RX 27/06	13	17,5	144	128	122	114	107	97	88	75	
180 RX 27/07	15	20	168	149	142	133	125	113	102	88	
180 RX 27/09	18,50	25	216	192	183	171	161	145	131	113	
180 RX 27/10	22	30	240	213	203	190	179	161	146	125	
180 RX 27/12	26	35	288	256	244	228	215	193	175	150	
180 RX 27/14	30	40	336	298	284	266	251	225	204	175	
180 RX 27/17	37	50	408	362	345	323	304	274	248	213	
180 RX 27/21	44	60	504	447	426	399	376	338	307	263	
180 RX 27/26	55	75	624	554	528	494	465	419	380	325	

DIMENSIONI D'INGOMBRO E PESI - OVERALL DIMENSIONS AND WEIGHTS

Type	A mm Tri V 400	B mm	C mm Tri	M Kg Tri	P Kg
180 RX 27/04	1381	630	751	60	30
180 RX 27/05	1491	680	811	65	33
180 RX 27/06	1571	730	841	70	37
180 RX 27/07	1711	780	931	75	40
180 RX 27/09	1871	880	991	83	47
180 RX 27/10	2001	930	1071	92	51
180 RX 27/12	2211	1030	1181	100	58
180 RX 27/14	2381	1130	1251	108	65
180 RX 27/17	2621	1280	1341	118	75
180 RX 27/21	2603	1480	1123	178	89
180 RX 27/26	2963	1730	1233	200	107



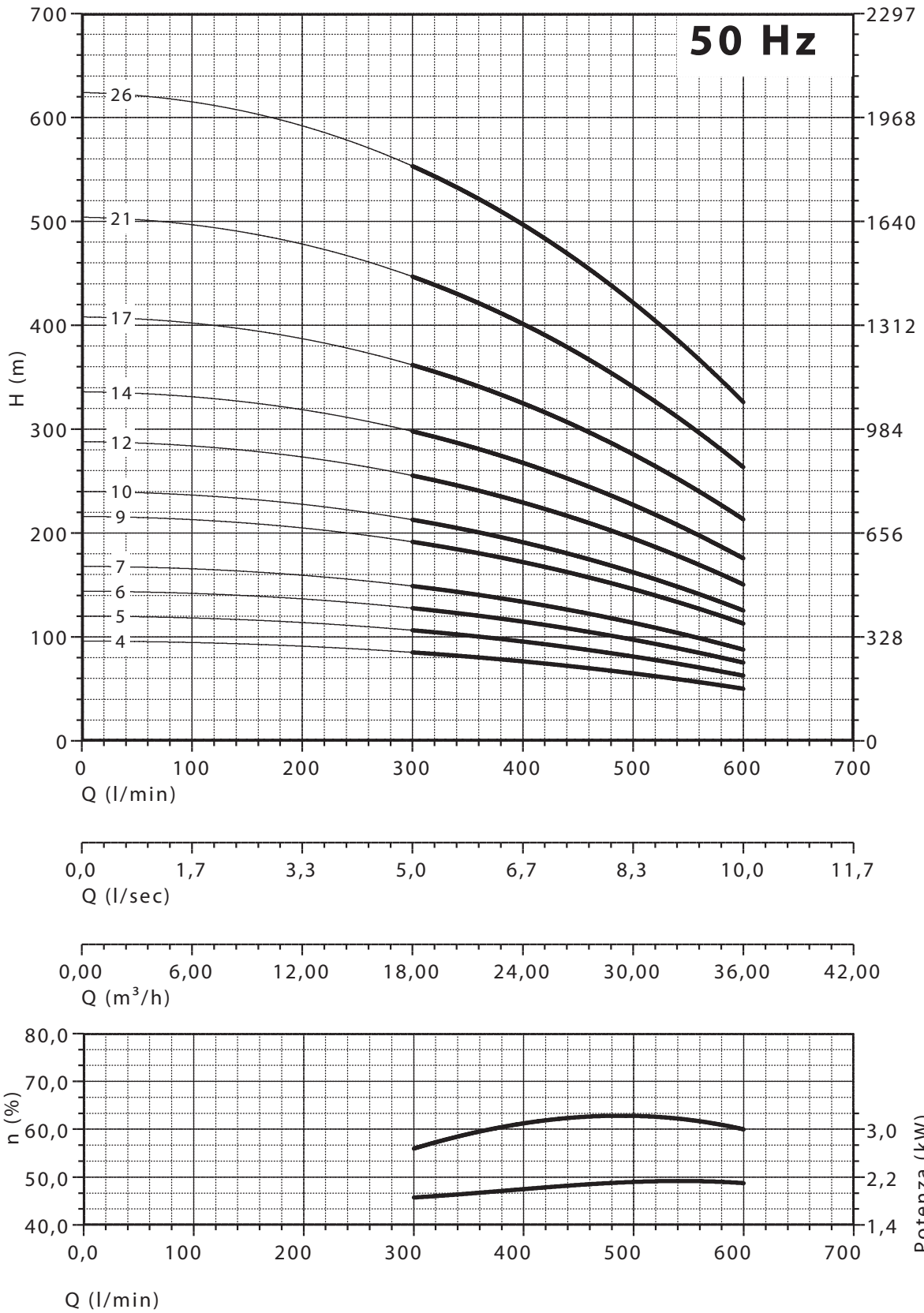
n% = Rendimento della pompa
 n% = Rendement de la pompe
 n% = Pump efficiency
 n% = Rendimiento de la bomba

Max
63%

kW/st = Assorbimento per stadio
 kW/st = Absorption par étage
 kW/st = Stage absorption
 kW/st = Potencia absorbida por etapa

Max
2,13

Tolleranza alla sabbia 50 g/m³ - Sand tolerance 50 g/m³ - Compatibilità con acqua potabile DM 174 Drinking water compatibility according to DM 174
 Tolleranze secondo UNI ISO 9906 livello 3B - Tolerances according to UNI ISO 9906 grade 3B



NPSH (m)	25%	50%	75%	100%
180 RX 27	3	3	4,5	6,6

8"

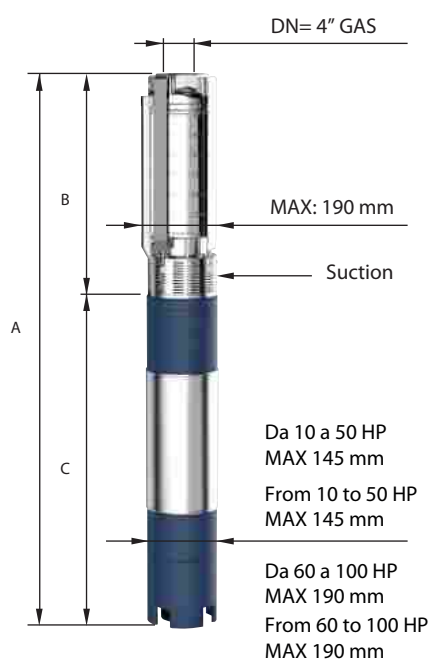
180 RX36


CARATTERISTICHE IDRAULICHE - HYDRAULIC PERFORMANCES
Q= Portata - Capacity - Debit **50 Hz n= 2900 min**

Tipo Type	Power		H(m)	0	400	500	600	700	800	900	
	kW	HP		l/min	0	6,67	8,33	10	11,67	13,33	15
				l/sec	0	24	30	36	42	48	54
				m ³ /h	0	24	30	36	42	48	54
180 RX 36/03	11	15	77	71	68	62	54	46	36		
180 RX 36/04	15	20	102	95	90	82	72	61	49		
180 RX 36/05	18,50	25	128	119	113	103	90	77	61		
180 RX 36/06	22	30	154	143	135	123	108	92	73		
180 RX 36/08	26	35	205	190	180	164	144	122	97		
180 RX 36/09	30	40	230	214	203	185	162	138	109		
180 RX 36/11	37	50	282	262	248	226	198	168	134		
180 RX 36/13	44	60	333	309	293	267	234	199	158		
180 RX 36/16	55	75	410	381	360	328	288	245	195		
180 RX 36/19	66	90	486	452	428	390	342	291	231		
180 RX 36/22	75	100	563	524	495	451	396	337	268		

DIMENSIONI D'INGOMBRO E PESI - OVERALL DIMENSIONS AND WEIGHTS

Type	A mm Tri V 400	B mm	C mm Tri	M Kg Tri	P Kg
180 RX 36/03	1391	580	811	65	27
180 RX 36/04	1561	630	931	75	30
180 RX 36/05	1671	680	991	83	34
180 RX 36/06	1801	730	1071	92	38
180 RX 36/08	2011	830	1181	100	45
180 RX 36/09	2131	880	1251	108	49
180 RX 36/11	2321	980	1341	118	56
180 RX 36/13	2203	1080	1123	178	64
180 RX 36/16	2463	1230	1233	200	75
180 RX 36/19	2683	1380	1303	214	86
180 RX 36/22	2913	1530	1383	230	97



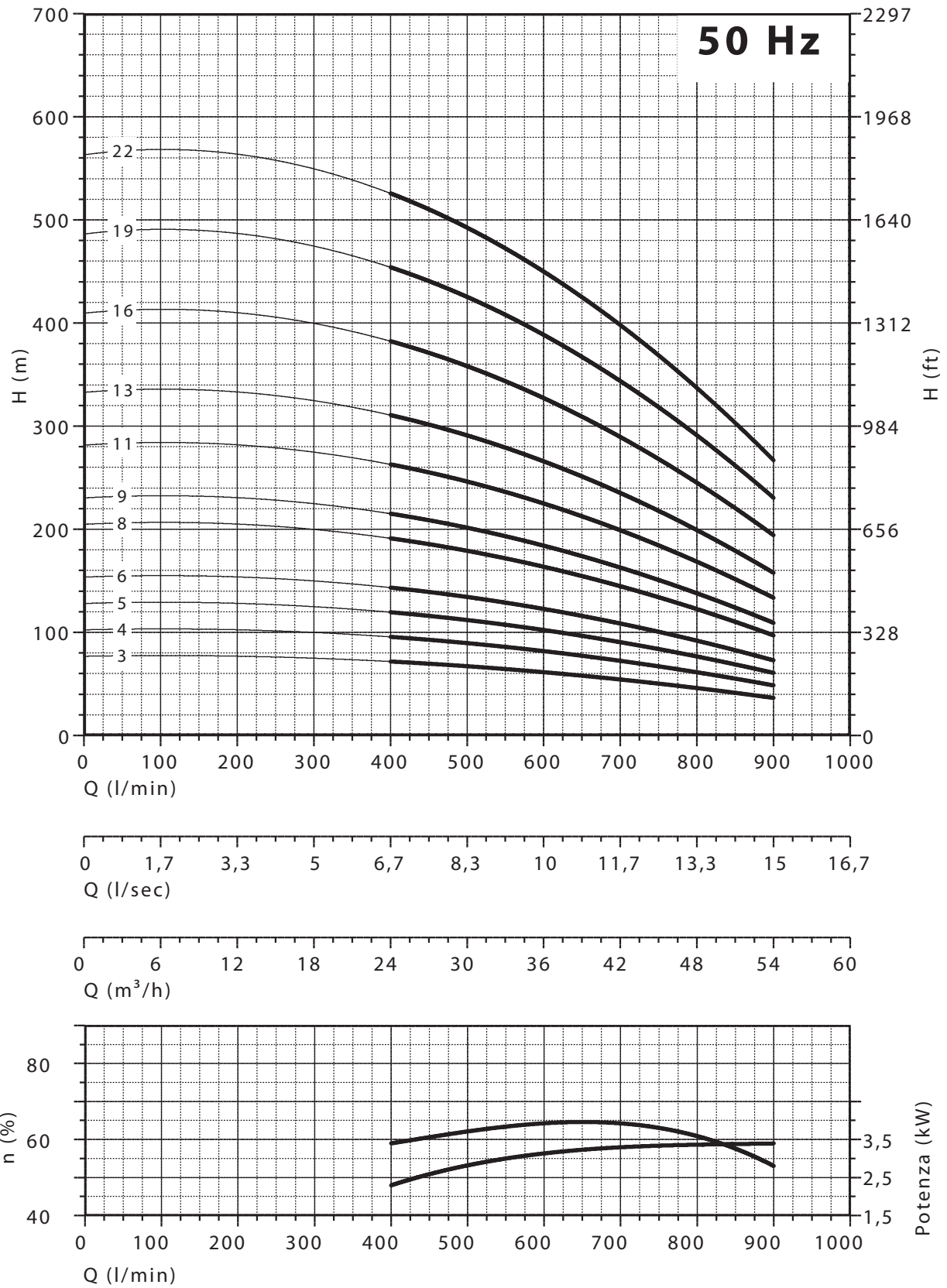
n% = Rendimento della pompa
 n% = Rendement de la pompe
 n% = Pump efficiency
 n% = Rendimiento de la bomba

**Max
64,5%**

kW/st = Assorbimento per stadio
 kW/st = Absorption par étage
 kW/st = Stage absorption
 kW/st = Potencia absorbida por etapa

**Max
3,40**

Tolleranza alla sabbia 50 g/m³ - Sand tolerance 50 g/m³ - Compatibilità con acqua potabile DM 174 Drinking water compatibility according to DM 174
 Tolleranze secondo UNI ISO 9906 livello 3B - Tolerances according to UNI ISO 9906 grade 3B



NPSH (m)	25%	50%	75%	100%
180 RX 36	3,4	3,4	3,8	8

8"

180 RX50

acciaio inox microfuso - casted stainless steel

PANELLI®

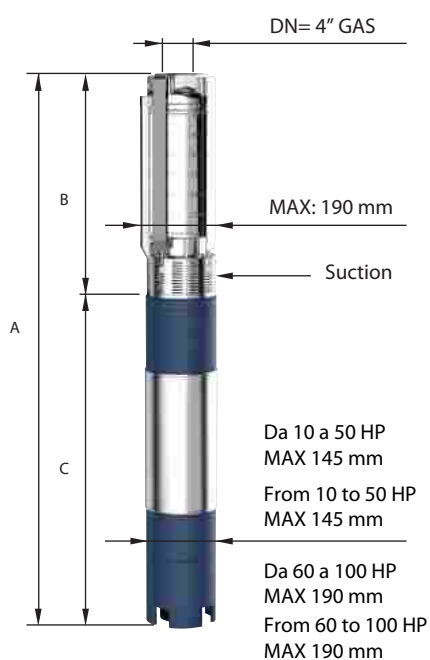
CARATTERISTICHE IDRAULICHE - HYDRAULIC PERFORMANCES

Q= Portata - Capacity - Debit **50 Hz n= 2900 min**

Tipo Type	Power		H(m)	0	600	700	800	900	1000	1100	1200	1300			
	kW	HP		l/min	l/sec	l/h	l/min	l/sec	l/h	l/min	l/sec	l/h	l/min	l/sec	l/h
				m ³ /h	m ³ /h	m ³ /h	m ³ /h	m ³ /h	m ³ /h	m ³ /h	m ³ /h	m ³ /h	m ³ /h	m ³ /h	m ³ /h
180 RX 50/02	9,20	12,5	47	42	40	38	34	31	27	22	16				
180 RX 50/03	13	17,5	71	63	60	57	51	47	41	33	24				
180 RX 50/04	18,50	25	94	84	80	76	68	62	54	44	32				
180 RX 50/05	22	30	118	105	100	95	85	78	68	55	40				
180 RX 50/06	26	35	141	126	120	114	102	93	81	66	48				
180 RX 50/07	30	40	165	147	140	133	119	109	95	77	56				
180 RX 50/09	37	50	212	189	180	171	153	140	122	99	72				
180 RX 50/10	44	60	235	210	200	190	170	155	135	110	80				
180 RX 50/13	55	75	306	273	260	247	221	202	176	143	104				
180 RX 50/15	66	90	353	315	300	285	255	233	203	165	120				
180 RX 50/17	75	100	400	357	340	323	289	264	230	187	136				

DIMENSIONI D'INGOMBRO E PESI - OVERALL DIMENSIONS AND WEIGHTS

Type	A mm Tri V 400	B mm	C mm Tri	M Kg Tri	P Kg
180 RX 50/02	1299	548	751	60	24
180 RX 50/03	1448	607	841	70	28
180 RX 50/04	1657	666	991	83	32
180 RX 50/05	1796	725	1071	92	36
180 RX 50/06	1965	784	1181	100	40
180 RX 50/07	2094	843	1251	108	44
180 RX 50/09	2302	961	1341	118	52
180 RX 50/10	2143	1020	1123	178	56
180 RX 50/13	2430	1197	1233	200	68
180 RX 50/15	2618	1315	1303	214	76
180 RX 50/17	2816	1433	1383	230	84



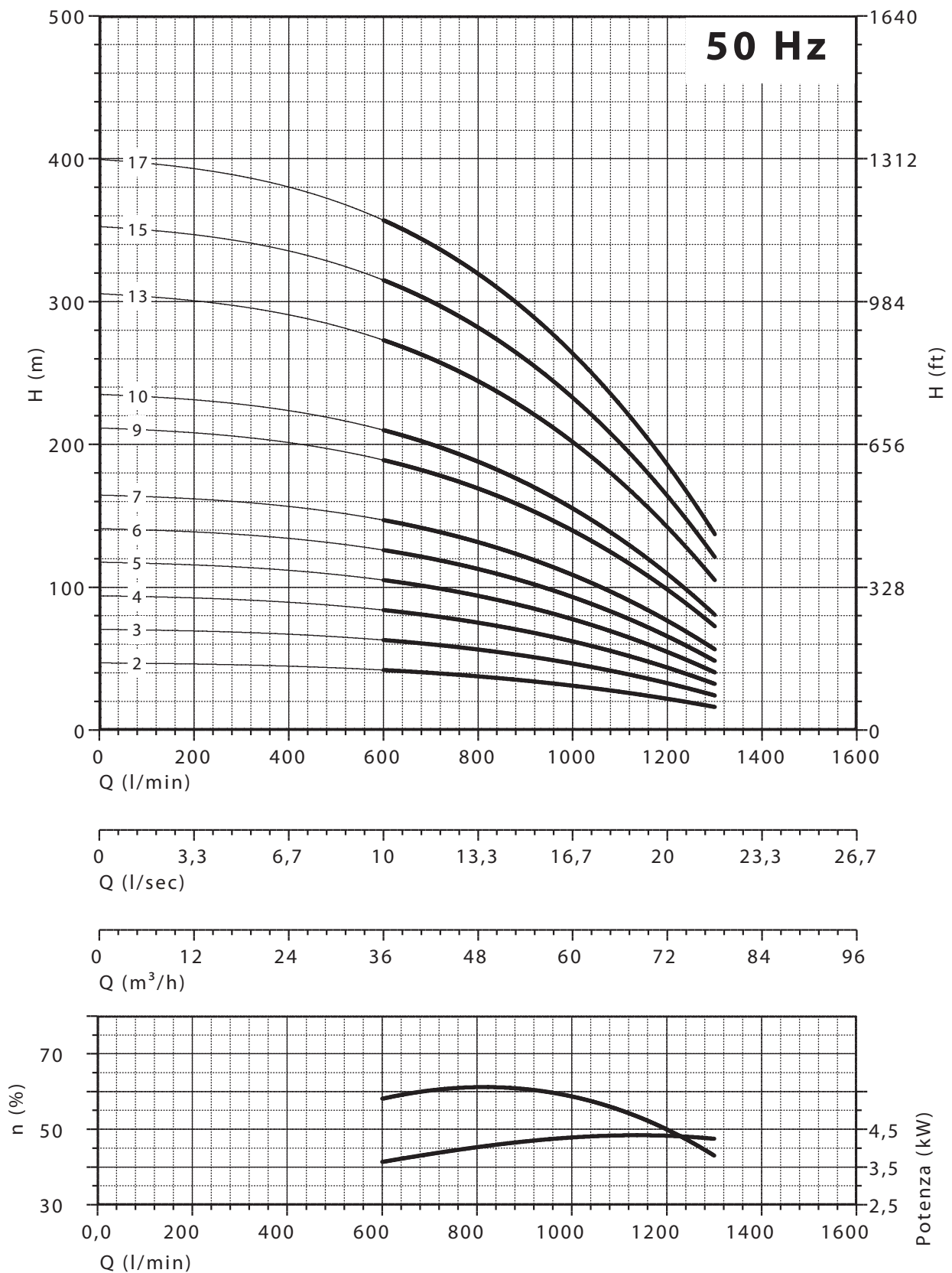
n% = Rendimento della pompa
n% = Rendement de la pompe
n% = Pump efficiency
n% = Rendimiento de la bomba

**Max
61%**

kW/st = Assorbimento per stadio
kW/st = Absorption par étage
kW/st = Stage absorption
kW/st = Potencia absorbida por etapa

**Max
4,33**

Tolleranza alla sabbia 50 g/m³ - Sand tolerance 50 g/m³ - Compatibilità con acqua potabile DM 174 Drinking water compatibility according to DM 174
Tolleranze secondo UNI ISO 9906 livello 3B - Tolerances according to UNI ISO 9906 grade 3B



NPSH (m)	25%	50%	75%	100%
180 RX 50	3,5	3,55	3,8	7



italian excellence since 1906

Note/notes

A series of horizontal dotted lines for taking notes, spanning the width of the page.



italian excellence since 1906

6" 8"

140 RX

180 RX

50Hz

**POMPA SOMMERSA
RADIALE INOX**

**RADIAL SUBMERSIBLE
PUMP - INOX**



Casted

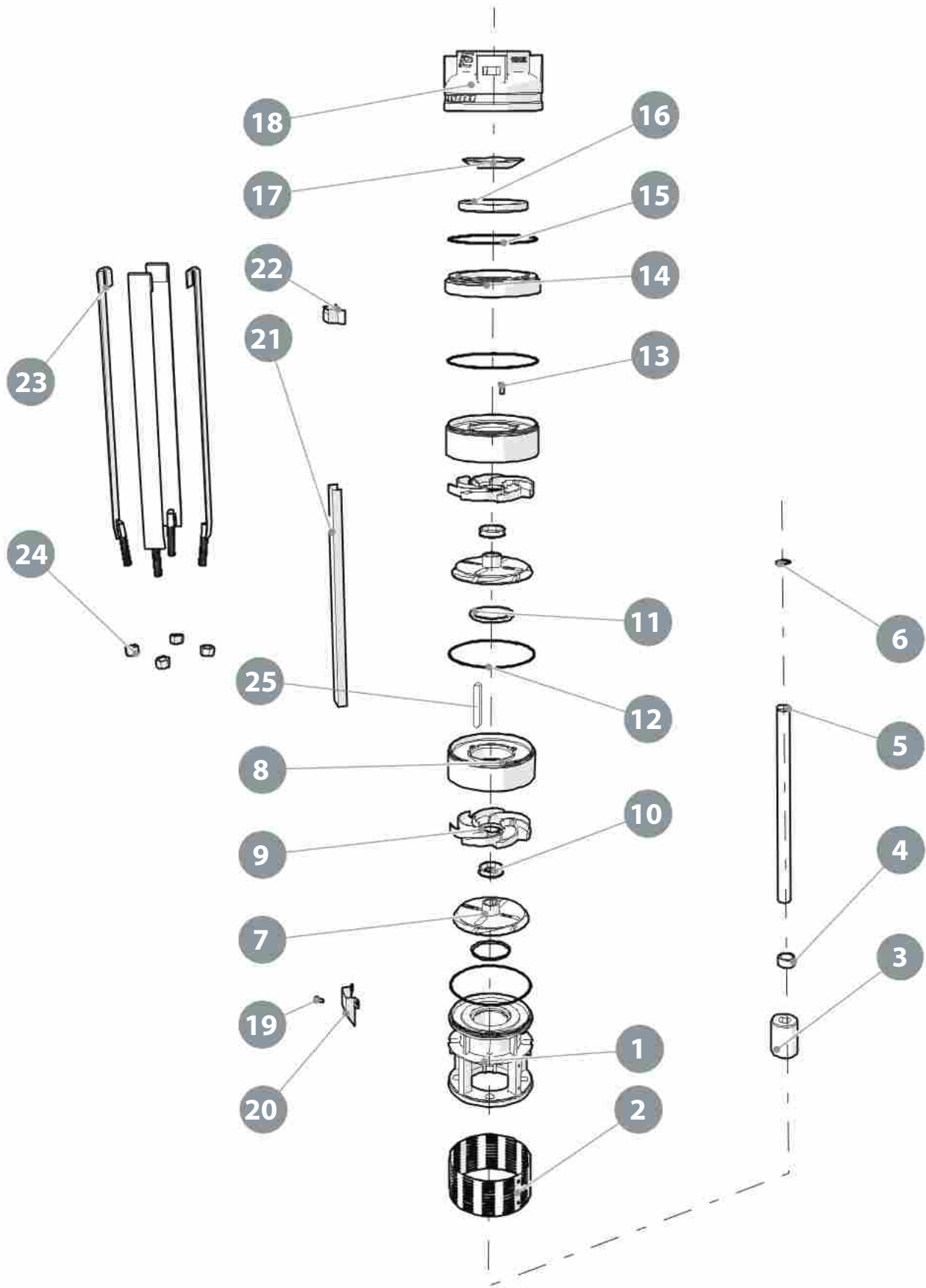
**RICAMBI
TABELLE MATERIALI**

**SPARE PARTS
MATERIAL CHARTS**

6"

140 RX

PANELLI®



140 RX

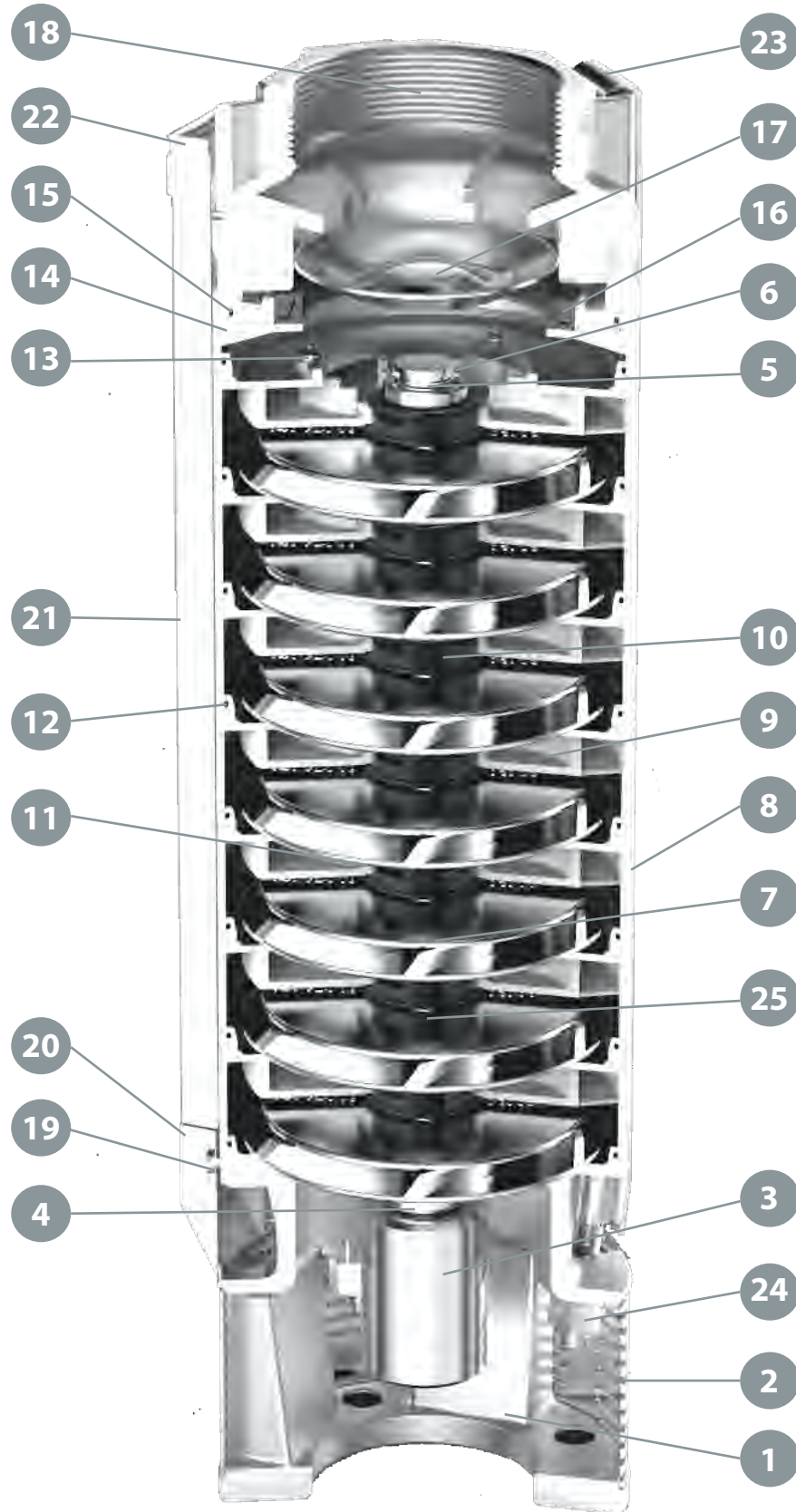
N. CODE	DESCRIZIONE (italiano)	MATERIALE (italiano)	DESCRIZIONE (english)	MATERIAL (english)
1	GABBIA DI ASPIRAZIONE	ACCIAIO INOX AISI 304	SUCTION CAGE	AISI 304
2	SUCCHERUOLA	ACCIAIO INOX AISI 304	SUCTION STRAINER	AISI 304
3	GIUNTO DI TRAINO	ACCIAIO INOX AISI 304	JOINT	AISI 304
4	DISTANZIATORE PRIMA GIRANTE	POLICARBONATO	SPACER FIRST IMPELLER	POLYCARBONATE
5	ALBERO POMPA	ACCIAIO INOX AISI 304	PUMP SHAFT	AISI 304
6	SEEGER	ACCIAIO INOX AISI 304	SEEGER	AISI 304
7	GIRANTE	ACCIAIO INOX AISI 304	IMPELLER	AISI 304
8	ELEMENTO INTERMEDIO	ACCIAIO INOX AISI 304	INTERMEDIATE CASING	AISI 304
9	DIFFUSORE	ACCIAIO INOX AISI 304	DIFFUSEUR	AISI 304
10	BRONZINA DIFFUSORE	GOMMA	BEARING BUSH DIFFUSER	NBR
11	ANELLO USURA	GOMMA	USURY RING	NBR
12	O-RING PER DIFFUSORE	GOMMA	O-RING FOR DIFFUSER	NBR
13	VITE M5X10	ACCIAIO INOX AISI 304	SCREW M5X10	AISI 304
14	ANELLO GUARNIZIONE FARFALLA	ACCIAIO INOX AISI 304	RING GASKET VALVE	AISI 304
15	O-RING PER GUARNIZIONE FARFALLA	GOMMA	O-RING FOR GASKET VALVE	NBR
16	GUARNIZIONE FARFALLA	GOMMA	GASLET VALVE	NBR
17	FARFALLA	ACCIAIO INOX AISI 304	CAP VALVE	AISI 304
18	MANDATA	ACCIAIO INOX AISI 304	DELIVERY BOWL	AISI 304
19	N. 2 VITI M4 X 10 PER STAFFETTA INF.	ACCIAIO INOX AISI 304	N. 2 SCREW M4X10 FOR LOWER FLANGE	AISI 304
20	STAFFETTA INFERIORE	ACCIAIO INOX AISI 304	LOWER FLANGE	AISI 304
21	COPRICAPO	ACCIAIO INOX AISI 304	COVER CABLE	AISI 304
22	STAFFETTA SUPERIORE	ACCIAIO INOX AISI 304	UPPER FLANGE	AISI 304
23	TIRANTE	ACCIAIO INOX AISI 304	ROD	AISI 304
24	DADO	ACCIAIO INOX AISI 304	NUT	AISI 304
25	CHIAVETTA	ACCIAIO INOX AISI 304	KEY	AISI 304

N. CODE	DESCRIPTION (Français)	MATÉRIEL (Français)	DESCRIPCIÓN (español)	MATERIAL (español)
1	CAGE D'ASPIRATION	ACIER INOXYDABLE AISI 304	REJILLA	ACERO INOXYDABLE AISI 304
2	CREPINE	ACIER INOXYDABLE AISI 304	CUERPO DE ASPIRACION	ACERO INOXYDABLE AISI 304
3	JOINT	ACIER INOXYDABLE AISI 304	ACOPLAMIENTO	ACERO INOXYDABLE AISI 304
4	ENTRETOISE PREMIERE ROUE	TECHNOPOLYMER	DISTANCIADOR PRIMER IMPULSOR	TECHNOPOLYMERO
5	ARBRE POMPE	ACIER INOXYDABLE AISI 304	EJE DE BOMBA	ACERO INOXYDABLE AISI 304
6	SEEGER	ACIER INOXYDABLE AISI 304	SEEGER	ACERO INOXYDABLE AISI 304
7	ROUE	ACIER INOXYDABLE AISI 304	IMPULSOR	ACERO INOXYDABLE AISI 304
8	ELEMENT INTERMEDIARE	ACIER INOXYDABLE AISI 304	ELEMENTO INTERMEDIO	ACERO INOXYDABLE AISI 304
9	DIFUSEUR	ACIER INOXYDABLE AISI 304	DIFUSOR	ACERO INOXYDABLE AISI 304
10	BEARING BUSH DIFFUSEUR	CAOUTCHOUC	COJINETE DIFUSOR	GOMA NBR
11	USURY RING	CAOUTCHOUC	ANILLO DE DESGASTE	GOMA NBR
12	O-RING POUR DIFFUSEUR	CAOUTCHOUC	ANILLO TOROIDAL DIFUSOR	GOMA NBR
13	VIS M5X10	ACIER INOXYDABLE AISI 304	TORNILLO M5X10	ACERO INOXYDABLE AISI 304
14	VALVE GASKET	ACIER INOXYDABLE AISI 304	JUNTA PARA VALVULA	ACERO INOXYDABLE AISI 304
15	O-RING FOR GASKET VALVE	CAOUTCHOUC	JUNTA TORICA ANILLO VALVULA	GOMA NBR
16	BAGUE VALVE GASKET	CAOUTCHOUC	JUNTA VALVULA	GOMA NBR
17	PLAT	ACIER INOXYDABLE AISI 304	VALVULA	ACERO INOXYDABLE AISI 304
18	REFOULEMENT	ACIER INOXYDABLE AISI 304	CUERPO DE IMPULSION	ACERO INOXYDABLE AISI 304
19	N. 2 VIS POUR BRIDE INFERIEURE	ACIER INOXYDABLE AISI 304	N. 2 TORNILLOS GRAPA INFERIOR	ACERO INOXYDABLE AISI 304
20	BRIDE INFERIEURE	ACIER INOXYDABLE AISI 304	GRAPA INFERIOR	ACERO INOXYDABLE AISI 304
21	PROTECTION CABLE	ACIER INOXYDABLE AISI 304	PARACABLE	ACERO INOXYDABLE AISI 304
22	BRIDE SUPERIEURE	ACIER INOXYDABLE AISI 304	GRAPA SUPERIOR	ACERO INOXYDABLE AISI 304
23	ROD	ACIER INOXYDABLE AISI 304	VARILLA	ACERO INOXYDABLE AISI 304
24	ECROU	ACIER INOXYDABLE AISI 304	TUERCA	ACERO INOXYDABLE AISI 304
25	KEY	ACIER INOXYDABLE AISI 304	CHAVETA	ACERO INOXYDABLE AISI 304

6"

140 RX

PANELLI®



140 RX

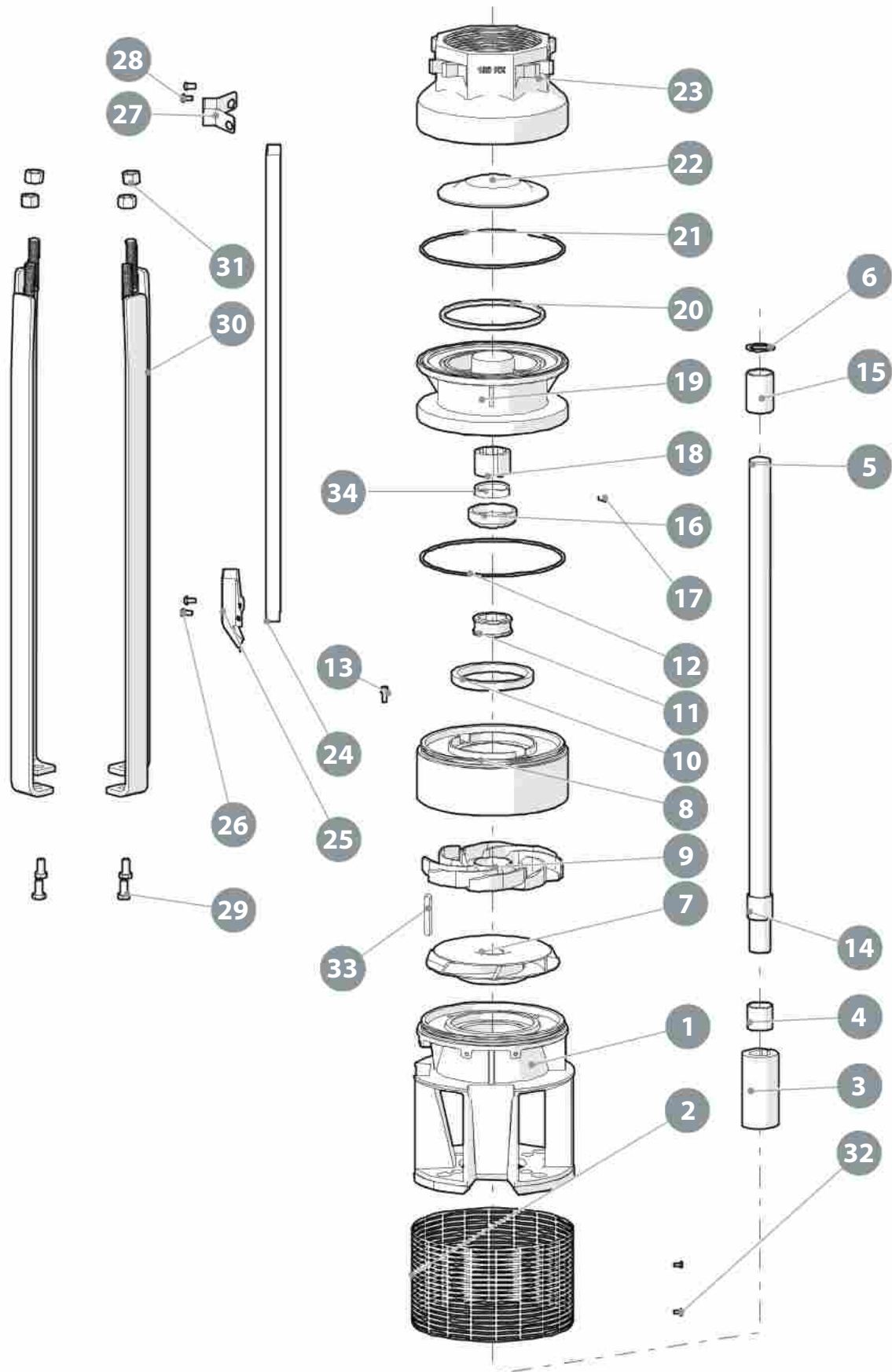
N. CODE	DESCRIZIONE (italiano)	MATERIALE (italiano)	DESCRIZIONE (english)	MATERIAL (english)
1	GABBIA DI ASPIRAZIONE	ACCIAIO INOX AISI 304	SUCTION CAGE	AISI 304
2	SUCCHERUOLA	ACCIAIO INOX AISI 304	SUCTION STRAINER	AISI 304
3	GIUNTO DI TRAIINO	ACCIAIO INOX AISI 304	JOINT	AISI 304
4	DISTANZIATORE PRIMA GIRANTE	POLICARBONATO	SPACER FIRST IMPELLER	POLYCARBONATE
5	ALBERO POMPA	ACCIAIO INOX AISI 304	PUMP SHAFT	AISI 304
6	SEEGER	ACCIAIO INOX AISI 304	SEEGER	AISI 304
7	GIRANTE	ACCIAIO INOX AISI 304	IMPELLER	AISI 304
8	ELEMENTO INTERMEDIO	ACCIAIO INOX AISI 304	INTERMEDIATE CASING	AISI 304
9	DIFFUSORE	ACCIAIO INOX AISI 304	DIFFUSEUR	AISI 304
10	BRONZINA DIFFUSORE	GOMMA	BEARING BUSH DIFFUSER	NBR
11	ANELLO USURA	GOMMA	USURY RING	NBR
12	O-RING PER DIFFUSORE	GOMMA	O-RING FOR DIFFUSER	NBR
13	VITE M5X10	ACCIAIO INOX AISI 304	SCREW M5X10	AISI 304
14	ANELLO GUARNIZIONE FARFALLA	ACCIAIO INOX AISI 304	RING GASKET VALVE	AISI 304
15	O-RING PER GUARNIZIONE FARFALLA	GOMMA	O-RING FOR GASKET VALVE	NBR
16	GUARNIZIONE FARFALLA	GOMMA	GASLET VALVE	NBR
17	FARFALLA	ACCIAIO INOX AISI 304	CAP VALVE	AISI 304
18	MANDATA	ACCIAIO INOX AISI 304	DELIVERY BOWL	AISI 304
19	N. 2 VITI M4 X 10 PER STAFFETTA INF.	ACCIAIO INOX AISI 304	N. 2 SCREW M4X10 FOR LOWER FLANGE	AISI 304
20	STAFFETTA INFERIORE	ACCIAIO INOX AISI 304	LOWER FLANGE	AISI 304
21	COPRICAVO	ACCIAIO INOX AISI 304	COVER CABLE	AISI 304
22	STAFFETTA SUPERIORE	ACCIAIO INOX AISI 304	UPPER FLANGE	AISI 304
23	TIRANTE	ACCIAIO INOX AISI 304	ROD	AISI 304
24	DADO	ACCIAIO INOX AISI 304	NUT	AISI 304
25	CHIAVETTA	ACCIAIO INOX AISI 304	KEY	AISI 304

N. CODE	DESCRIPTION (Français)	MATÉRIEL (Français)	DESCRIPCIÓN (español)	MATERIAL (español)
1	CAGE D'ASPIRATION	ACIER INOXYDABLE AISI 304	REJILLA	ACERO INOXYDABLE AISI 304
2	CREPINE	ACIER INOXYDABLE AISI 304	CUERPO DE ASPIRACION	ACERO INOXYDABLE AISI 304
3	JOINT	ACIER INOXYDABLE AISI 304	ACOPLAMIENTO	ACERO INOXYDABLE AISI 304
4	ENTRETOISE PREMIERE ROUE	TECHNOPOLYMER	DISTANCIADOR PRIMER IMPULSOR	TECHNOPOLYMERO
5	ARBRE POMPE	ACIER INOXYDABLE AISI 304	EJE DE BOMBA	ACERO INOXYDABLE AISI 304
6	SEEGER	ACIER INOXYDABLE AISI 304	SEEGER	ACERO INOXYDABLE AISI 304
7	ROUE	ACIER INOXYDABLE AISI 304	IMPULSOR	ACERO INOXYDABLE AISI 304
8	ELEMENT INTERMEDIARE	ACIER INOXYDABLE AISI 304	ELEMENTO INTERMEDIO	ACERO INOXYDABLE AISI 304
9	DIFUSEUR	ACIER INOXYDABLE AISI 304	DIFUSOR	ACERO INOXYDABLE AISI 304
10	BEARING BUSH DIFFUSEUR	CAOUTCHOUC	COJINETE DIFUSOR	GOMA NBR
11	USURY RING	CAOUTCHOUC	ANILLO DE DESGASTE	GOMA NBR
12	O-RING POUR DIFFUSEUR	CAOUTCHOUC	ANILLO TOROIDAL DIFUSOR	GOMA NBR
13	VIS M5X10	ACIER INOXYDABLE AISI 304	TORNILLO M5X10	ACERO INOXYDABLE AISI 304
14	VALVE GASKET	ACIER INOXYDABLE AISI 304	JUNTA PARA VALVULA	ACERO INOXYDABLE AISI 304
15	O-RING FOR GASKET VALVE	CAOUTCHOUC	JUNTA TORICA ANILLO VALVULA	GOMA NBR
16	BAGUE VALVE GASKET	CAOUTCHOUC	JUNTA VALVULA	GOMA NBR
17	PLAT	ACIER INOXYDABLE AISI 304	VALVULA	ACERO INOXYDABLE AISI 304
18	REFOULEMENT	ACIER INOXYDABLE AISI 304	CUERPO DE IMPULSION	ACERO INOXYDABLE AISI 304
19	N. 2 VIS POUR BRIDE INFERIEURE	ACIER INOXYDABLE AISI 304	N. 2 TORNILLOS GRAPA INFERIOR	ACERO INOXYDABLE AISI 304
20	BRIDE INFERIEURE	ACIER INOXYDABLE AISI 304	GRAPA INFERIOR	ACERO INOXYDABLE AISI 304
21	PROTECTION CABLE	ACIER INOXYDABLE AISI 304	PARACABLE	ACERO INOXYDABLE AISI 304
22	BRIDE SUPERIEURE	ACIER INOXYDABLE AISI 304	GRAPA SUPERIOR	ACERO INOXYDABLE AISI 304
23	ROD	ACIER INOXYDABLE AISI 304	VARILLA	ACERO INOXYDABLE AISI 304
24	ECROU	ACIER INOXYDABLE AISI 304	TUERCA	ACERO INOXYDABLE AISI 304
25	KEY	ACIER INOXYDABLE AISI 304	CHAVETA	ACERO INOXYDABLE AISI 304

8"

180 RX

PANELLI®



180 RX

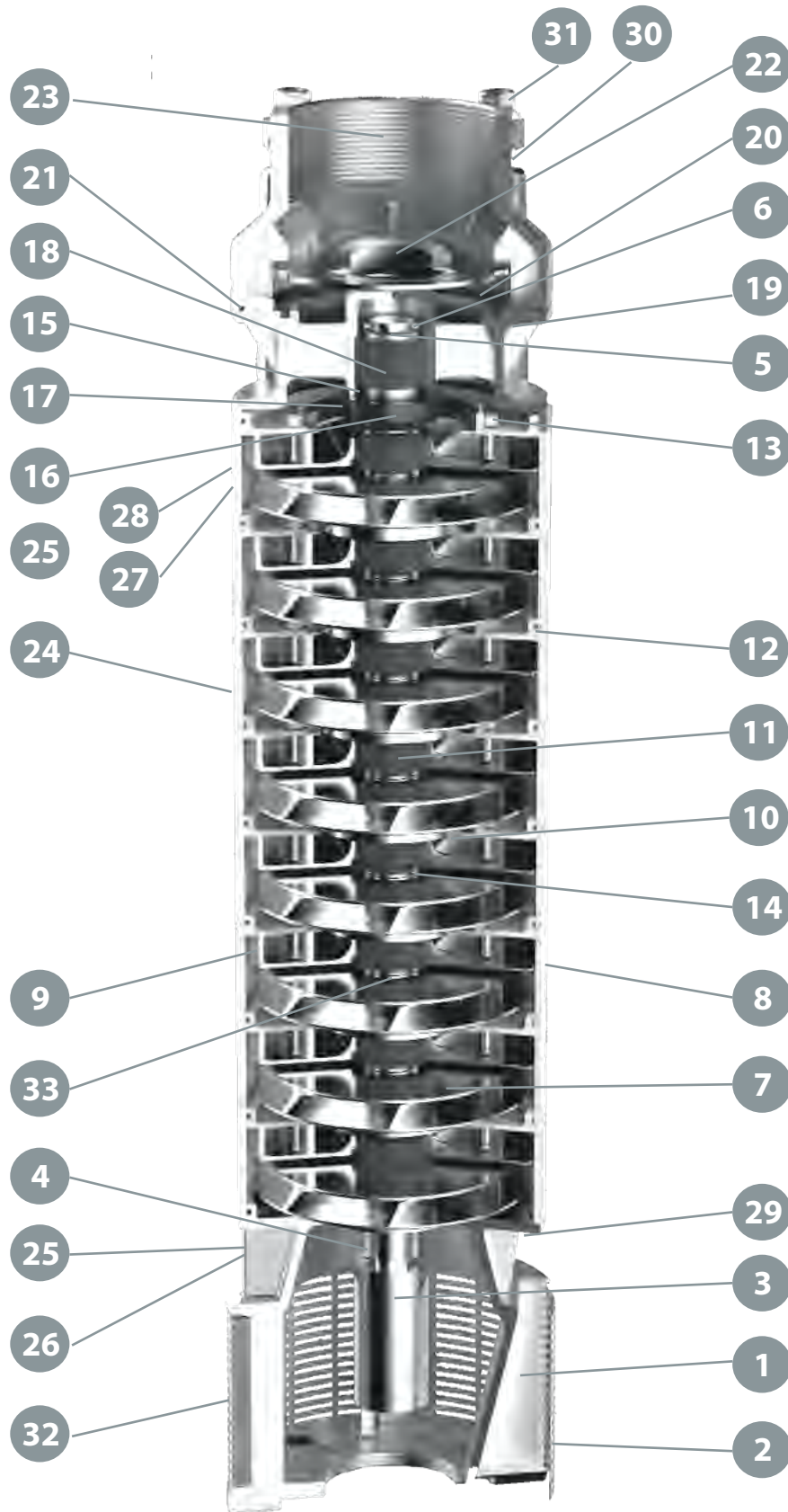
N. CODE	DESCRIZIONE (italiano)	MATERIALE (italiano)	DESCRIZIONE (english)	MATERIAL (english)
1	GABBIA DI ASPIRAZIONE	ACCIAIO INOX AISI 304	SUCTION CAGE	AISI 304
2	SUCCHERUOLA	ACCIAIO INOX AISI 304	SUCTION STRAINER	AISI 304
3	GIUNTO DI TRAINO	ACCIAIO INOX AISI 304	JOINT	AISI 304
4	DISTANZIATORE PRIMA GIRANTE	ACCIAIO INOX AISI 304	SPACER FIRST IMPELLER	AISI 304
5	ALBERO POMPA	ACCIAIO INOX AISI 304	PUMP SHAFT	AISI 304
6	SEEGER	ACCIAIO INOX AISI 304	SEEGER	AISI 304
7	GIRANTE	ACCIAIO INOX AISI 304	IMPELLER	AISI 304
8	ELEMENTO INTERMEDIO	ACCIAIO INOX AISI 304	INTERMEDIATE CASING	AISI 304
9	DIFFUSORE	ACCIAIO INOX AISI 304	DIFFUSEUR	AISI 304
10	ANELLO USURA	GOMMA	USURY RING	NBR
11	BRONZINA DIFFUSORE	GOMMA	BEARING BUSH DIFFUSER	NBR
12	O-RING PER DIFFUSORE	GOMMA	O-RING FOR DIFFUSER	NBR
13	VITE M5X12	ACCIAIO INOX AISI 304	SCREW M5X12	AISI 304
14	DISTANZIATORE INTERMEDIO	ACCIAIO INOX AISI 304	SPACER INTERMEDIATE	AISI 304
15	DISTANZIATORE	ACCIAIO INOX AISI 304	SPACER	AISI 304
16	DEFLETTORE	NORYL GFN2	DEFLECTOR	NORYL GFN2
17	GRANO PER DEFLETTORE	ACCIAIO INOX AISI 304	SCREW FOR DEFLECTOR	AISI 304
18	BRONZINA SUPERIORE	GOMMA	UPPER BEARING BUSH	NBR
19	MANDATA	ACCIAIO INOX AISI 304	DELIVERY BOWL	AISI 304
20	GUARNIZIONE FARFALLA	GOMMA	GASLET VALVE	NBR
21	O-RING PER MANDATA	GOMMA	O-RING FOR DELIVERY BOWL	NBR
22	FARFALLA	ACCIAIO INOX AISI 304	CAP VALVE	AISI 304
23	CORPO VALVOLA	ACCIAIO INOX AISI 304	BODY VALVE	AISI 304
24	COPRICAPO	ACCIAIO INOX AISI 304	COVER CABLE	AISI 304
25	STAFFETTA INFERIORE	ACCIAIO INOX AISI 304	LOWER FLANGE	AISI 304
26	N. 2 VITI M4 X 10 PER STAFFETTA INF.	ACCIAIO INOX AISI 304	N. 2 SCREW M4X10 FOR LOWER FLANGE	AISI 304
27	STAFFETTA SUPERIORE	ACCIAIO INOX AISI 304	UPPER FLANGE	AISI 304
28	N. 2 VITI M4 X 10 PER STAFFETTA SUP.	ACCIAIO INOX AISI 304	N.2 SCREW M4X10 FOR UPPER FLANGE	AISI 304
29	N.4 BULLONI BLOCCA TIRANTE	ACCIAIO INOX AISI 304	N. 4 SCREW BLOCKS ROD	AISI 304
30	TIRANTE	ACCIAIO INOX AISI 304	ROD	AISI 304
31	DADO	ACCIAIO INOX AISI 304	NUT	AISI 304
32	N. 2 VITI PER SUCCHERUOLA	ACCIAIO INOX AISI 304	N. 2 SCREW FOR SUCTION STRAINER	AISI 304
33	CHIAVETTA	ACCIAIO INOX AISI 304	KEY	AISI 304
34	ANELLO DI TENUTA/CORTECO	GOMMA	SEAL RING	NBR

N. CODE	DESCRIPTION (Français)	MATÉRIEL (Français)	DESCRIPCIÓN (español)	MATERIAL (español)
1	CAGE D'ASPIRATION	ACIER INOXYDABLE AISI 304	CUERPO DE ASPIRACION	ACERO INOXYDABLE AISI 304
2	CREPINE	ACIER INOXYDABLE AISI 304	REJILLA	ACERO INOXYDABLE AISI 304
3	JOINT	ACIER INOXYDABLE AISI 304	ACOPLAMIENTO	ACERO INOXYDABLE AISI 304
4	ENTRETOISE PREMIERE ROUE	ACIER INOXYDABLE AISI 304	DISTANCIADOR PRIMER IMPULSOR	ACERO INOXYDABLE AISI 304
5	ARBRE POMPE	ACIER INOXYDABLE AISI 304	EJE DE BOMBA	ACERO INOXYDABLE AISI 304
6	SEEGER	ACIER INOXYDABLE AISI 304	SEEGER	ACERO INOXYDABLE AISI 304
7	ROUE	ACIER INOXYDABLE AISI 304	IMPULSOR	ACERO INOXYDABLE AISI 304
8	ELEMENT INTERMEDIARE	ACIER INOXYDABLE AISI 304	ELEMENTO INTERMEDIO	ACERO INOXYDABLE AISI 304
9	DIFFUSEUR	ACIER INOXYDABLE AISI 304	DIFUSOR	ACERO INOXYDABLE AISI 304
10	USURY RING	CAOUTCHOUC	ANILLO DE DESGASTE	GOMA
11	BEARING BUSH DIFFUSEUR	CAOUTCHOUC	COJINETE DIFUSOR	GOMA
12	O-RING POUR DIFFUSEUR	CAOUTCHOUC	ANILLO TOROIDAL DIFUSOR	GOMA
13	VIS M5X12	ACIER INOXYDABLE AISI 304	TORNILLO M5X10	ACERO INOXYDABLE AISI 304
14	ENTRETOISE INTERMEDIAIRE	ACIER INOXYDABLE AISI 304	DISTANCIADOR INTERMEDIO	ACERO INOXYDABLE AISI 304
15	ENTRETOISE	ACIER INOXYDABLE AISI 304	DISTANCIADOR	ACERO INOXYDABLE AISI 304
16	FLAP	NORYL GFN2	DEFLECTOR	NORYL GFN2
17	VIS POUR FLAP	ACIER INOXYDABLE AISI 304	TORNILLO DEFLECTOR	ACERO INOXYDABLE AISI 304
18	SUPERIEUR BEARING BUSH	CAOUTCHOUC	COJINETE SUPERIOR	GOMA
19	REFOULEMENT	ACIER INOXYDABLE AISI 304	CUERPO DE IMPULSION	ACERO INOXYDABLE AISI 304
20	BAGUE VALVE GASKET	CAOUTCHOUC	JUNTA PARA VALVULA	GOMA
21	O-RING POUR REFOULEMENT	CAOUTCHOUC	JUNTA TORICA ANILLO VALVULA	GOMA
22	PLAT	ACIER INOXYDABLE AISI 304	VALVULA	ACERO INOXYDABLE AISI 304
23	CORPS DE VALVE	ACIER INOXYDABLE AISI 304	CUERPO DE IMPULSION	ACERO INOXYDABLE AISI 304
24	PROTECTION CABLE	ACIER INOXYDABLE AISI 304	PARACABLE	ACERO INOXYDABLE AISI 304
25	BRIDE INFERIEUR	ACIER INOXYDABLE AISI 304	GRAPA INFERIOR	ACERO INOXYDABLE AISI 304
26	N. 2 VIS POUR BRIDE INFERIEUR	ACIER INOXYDABLE AISI 304	N. 2 TORNILLOS GRAPA INFERIOR	ACERO INOXYDABLE AISI 304
27	BRIDE SUPERIEUR	ACIER INOXYDABLE AISI 304	GRAPA SUPERIOR	ACERO INOXYDABLE AISI 304
28	N. 2 VIS POUR BRIDE SUPERIEUR	ACIER INOXYDABLE AISI 304	N. 2 TORNILLOS GRAPA SUPERIOR	ACERO INOXYDABLE AISI 304
29	N.4 VIS POUR BLOCAGE ROD	ACIER INOXYDABLE AISI 304	N. 4 TUERCAS POR VARILLA	ACERO INOXYDABLE AISI 304
30	ROD	ACIER INOXYDABLE AISI 304	VARILLA	ACERO INOXYDABLE AISI 304
31	ECROU	ACIER INOXYDABLE AISI 304	TUERCA	ACERO INOXYDABLE AISI 304
32	N. 2 VIS POUR CREPINE	ACIER INOXYDABLE AISI 304	N.2 TORNILLOS REJILLA	ACERO INOXYDABLE AISI 304
33	KEY	ACIER INOXYDABLE AISI 304	CHAVETA	ACERO INOXYDABLE AISI 304
34	SEAL RING	CAOUTCHOUC	ANILLO DE JUNTA	GOMA

8"

180 RX

PANELLI®



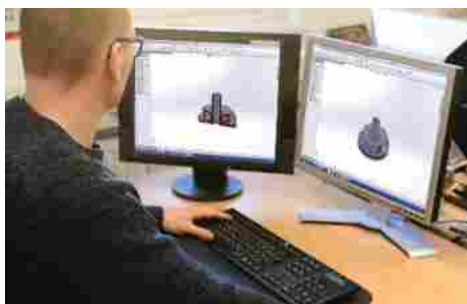
180 RX

N. CODE	DESCRIZIONE (italiano)	MATERIALE (italiano)	DESCRIZIONE (english)	MATERIAL (english)
1	GABBIA DI ASPIRAZIONE	ACCIAIO INOX AISI 304	SUCTION CAGE	AISI 304
2	SUCCHERUOLA	ACCIAIO INOX AISI 304	SUCTION STRAINER	AISI 304
3	GIUNTO DI TRAINO	ACCIAIO INOX AISI 304	JOINT	AISI 304
4	DISTANZIATORE PRIMA GIRANTE	ACCIAIO INOX AISI 304	SPACER FIRST IMPELLER	AISI 304
5	ALBERO POMPA	ACCIAIO INOX AISI 304	PUMP SHAFT	AISI 304
6	SEEGER	ACCIAIO INOX AISI 304	SEEGER	AISI 304
7	GIRANTE	ACCIAIO INOX AISI 304	IMPELLER	AISI 304
8	ELEMENTO INTERMEDIO	ACCIAIO INOX AISI 304	INTERMEDIATE CASING	AISI 304
9	DIFFUSORE	ACCIAIO INOX AISI 304	DIFFUSEUR	AISI 304
10	ANELLO USURA	GOMMA	USURY RING	NBR
11	BRONZINA DIFFUSORE	GOMMA	BEARING BUSH DIFFUSER	NBR
12	O-RING PER DIFFUSORE	GOMMA	O-RING FOR DIFFUSER	NBR
13	VITE M5X12	ACCIAIO INOX AISI 304	SCREW M5X12	AISI 304
14	DISTANZIATORE INTERMEDIO	ACCIAIO INOX AISI 304	SPACER INTERMEDIATE	AISI 304
15	DISTANZIATORE	ACCIAIO INOX AISI 304	SPACER	AISI 304
16	DEFLETTORE	NORYL GFN2	DEFLECTOR	NORYL GFN2
17	GRANO PER DEFLETTORE	ACCIAIO INOX AISI 304	SCREW FOR DEFLECTOR	AISI 304
18	BRONZINA SUPERIORE	GOMMA	UPPER BEARING BUSH	NBR
19	MANDATA	ACCIAIO INOX AISI 304	DELIVERY BOWL	AISI 304
20	GUARNIZIONE FARFALLA	GOMMA	GASLET VALVE	NBR
21	O-RING PER MANDATA	GOMMA	O-RING FOR DELIVERY BOWL	NBR
22	FARFALLA	ACCIAIO INOX AISI 304	CAP VALVE	AISI 304
23	CORPO VALVOLA	ACCIAIO INOX AISI 304	BODY VALVE	AISI 304
24	COPRICAPO	ACCIAIO INOX AISI 304	COVER CABLE	AISI 304
25	STAFFETTA INFERIORE	ACCIAIO INOX AISI 304	LOWER FLANGE	AISI 304
26	N. 2 VITI M4 X 10 PER STAFFETTA INF.	ACCIAIO INOX AISI 304	N. 2 SCREW M4X10 FOR LOWER FLANGE	AISI 304
27	STAFFETTA SUPERIORE	ACCIAIO INOX AISI 304	UPPER FLANGE	AISI 304
28	N. 2 VITI M4 X 10 PER STAFFETTA SUP.	ACCIAIO INOX AISI 304	N.2 SCREW M4X10 FOR UPPER FLANGE	AISI 304
29	N.4 BULLONI BLOCCA TIRANTE	ACCIAIO INOX AISI 304	N. 4 SCREW BLOCKS ROD	AISI 304
30	TIRANTE	ACCIAIO INOX AISI 304	ROD	AISI 304
31	DADO	ACCIAIO INOX AISI 304	NUT	AISI 304
32	N. 2 VITI PER SUCCHERUOLA	ACCIAIO INOX AISI 304	N. 2 SCREW FOR SUCTION STRAINER	AISI 304
33	CHIAVETTA	ACCIAIO INOX AISI 304	KEY	AISI 304
34	ANELLO DI TENUTA/CORTECO	GOMMA	SEAL RING	NBR

N. CODE	DESCRIPTION (Français)	MATÉRIEL (Français)	DESCRIPCIÓN (español)	MATERIAL (español)
1	CAGE D'ASPIRATION	ACIER INOXYDABLE AISI 304	CUERPO DE ASPIRACION	ACERO INOXYDABLE AISI 304
2	CREPINE	ACIER INOXYDABLE AISI 304	REJILLA	ACERO INOXYDABLE AISI 304
3	JOINT	ACIER INOXYDABLE AISI 304	ACOPLAMIENTO	ACERO INOXYDABLE AISI 304
4	ENTRETOISE PREMIERE ROUE	ACIER INOXYDABLE AISI 304	DISTANCIADOR PRIMER IMPULSOR	ACERO INOXYDABLE AISI 304
5	ARBRE POMPE	ACIER INOXYDABLE AISI 304	EJE DE BOMBA	ACERO INOXYDABLE AISI 304
6	SEEGER	ACIER INOXYDABLE AISI 304	SEEGER	ACERO INOXYDABLE AISI 304
7	ROUE	ACIER INOXYDABLE AISI 304	IMPULSOR	ACERO INOXYDABLE AISI 304
8	ELEMENT INTERMEDIARE	ACIER INOXYDABLE AISI 304	ELEMENTO INTERMEDIO	ACERO INOXYDABLE AISI 304
9	DIFFUSEUR	ACIER INOXYDABLE AISI 304	DIFUSOR	ACERO INOXYDABLE AISI 304
10	USURY RING	CAOUTCHOUC	ANILLO DE DESGASTE	GOMA
11	BEARING BUSH DIFFUSEUR	CAOUTCHOUC	COJINETE DIFUSOR	GOMA
12	O-RING POUR DIFFUSEUR	CAOUTCHOUC	ANILLO TOROIDAL DIFUSOR	GOMA
13	VIS M5X12	ACIER INOXYDABLE AISI 304	TORNILLO M5X10	ACERO INOXYDABLE AISI 304
14	ENTRETOISE INTERMEDIAIRE	ACIER INOXYDABLE AISI 304	DISTANCIADOR INTERMEDIO	ACERO INOXYDABLE AISI 304
15	ENTRETOISE	ACIER INOXYDABLE AISI 304	DISTANCIADOR	ACERO INOXYDABLE AISI 304
16	FLAP	NORYL GFN2	DEFLECTOR	NORYL GFN2
17	VIS POUR FLAP	ACIER INOXYDABLE AISI 304	TORNILLO DEFLECTOR	ACERO INOXYDABLE AISI 304
18	SUPERIEUR BEARING BUSH	CAOUTCHOUC	COJINETE SUPERIOR	GOMA
19	REFOULEMENT	ACIER INOXYDABLE AISI 304	CUERPO DE IMPULSION	ACERO INOXYDABLE AISI 304
20	BAGUE VALVE GASKET	CAOUTCHOUC	JUNTA PARA VALVULA	GOMA
21	O-RING POUR REFOULEMENT	CAOUTCHOUC	JUNTA TORICA ANILLO VALVULA	GOMA
22	PLAT	ACIER INOXYDABLE AISI 304	VALVULA	ACERO INOXYDABLE AISI 304
23	CORPS DE VALVE	ACIER INOXYDABLE AISI 304	CUERPO DE IMPULSION	ACERO INOXYDABLE AISI 304
24	PROTECTION CABLE	ACIER INOXYDABLE AISI 304	PARACABLE	ACERO INOXYDABLE AISI 304
25	BRIDE INFERIEUR	ACIER INOXYDABLE AISI 304	GRAPA INFERIOR	ACERO INOXYDABLE AISI 304
26	N. 2 VIS POUR BRIDE INFERIEURE	ACIER INOXYDABLE AISI 304	N. 2 TORNILLOS GRAPA INFERIOR	ACERO INOXYDABLE AISI 304
27	BRIDE SUPERIEUR	ACIER INOXYDABLE AISI 304	GRAPA SUPERIOR	ACERO INOXYDABLE AISI 304
28	N. 2 VIS POUR BRIDE SUPERIEUR	ACIER INOXYDABLE AISI 304	N. 2 TORNILLOS GRAPA SUPERIOR	ACERO INOXYDABLE AISI 304
29	N.4 VIS POUR BLOCAGE ROD	ACIER INOXYDABLE AISI 304	N. 4 TUERCAS POR VARILLA	ACERO INOXYDABLE AISI 304
30	ROD	ACIER INOXYDABLE AISI 304	VARILLA	ACERO INOXYDABLE AISI 304
31	ECROU	ACIER INOXYDABLE AISI 304	TUERCA	ACERO INOXYDABLE AISI 304
32	N. 2 VIS POUR CREPINE	ACIER INOXYDABLE AISI 304	N.2 TORNILLOS REJILLA	ACERO INOXYDABLE AISI 304
33	KEY	ACIER INOXYDABLE AISI 304	CHAVETA	ACERO INOXYDABLE AISI 304
34	SEAL RING	CAOUTCHOUC	ANILLO DE JUNTA	GOMA

PANELLI®

italian excellence since 1906



Panelli s.r.l.

Sede legale: 37047 San Bonifacio (VR) ITALY - Via E. Fermi, 7

Unità produttiva: 15122 (Alessandria) ITALY

Via Rana , 63/65 – Z.I D5 - Spinetta Marengo

Phone : + 39 0131 619506 - Fax : + 39 0131 619017

Email : info@panellipumps.it - www.panellipumps.it

Società soggetta a direzione e coordinamento di

PEDROLLO GROUP s.r.l.

